

ROBE

Service manual

Robin Pointe

Explosionszeichnung
Ersatzteil-Artikelübersicht

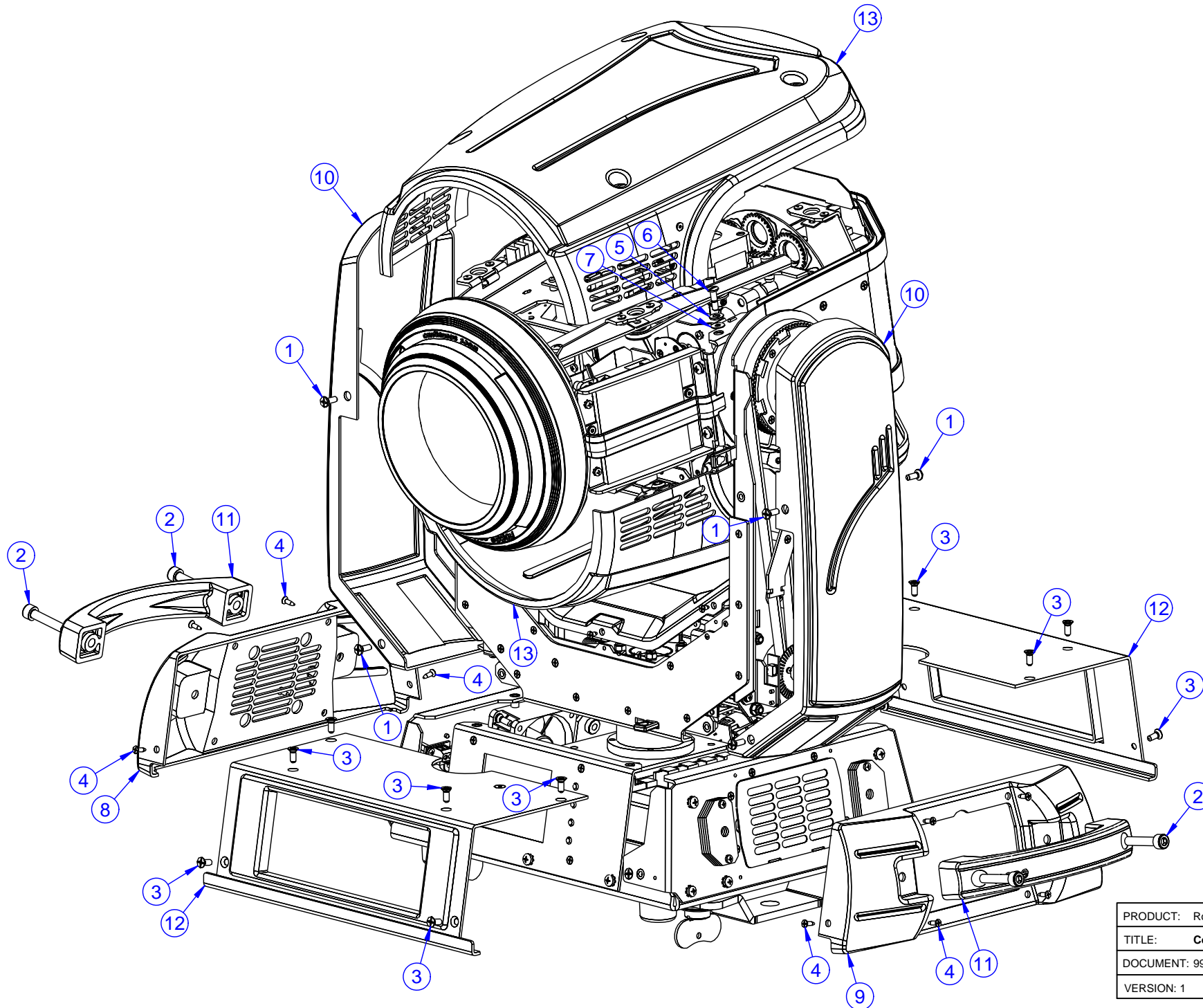
LMP Service

Wir bieten herstellerübergreifenden Service.
Unsere kostenlose Service-Hotline steht Ihnen von
Montag bis Donnerstag von 9.00 bis 17.30 Uhr
und Freitags von 9.00 bis 16.00 Uhr zur Verfügung.

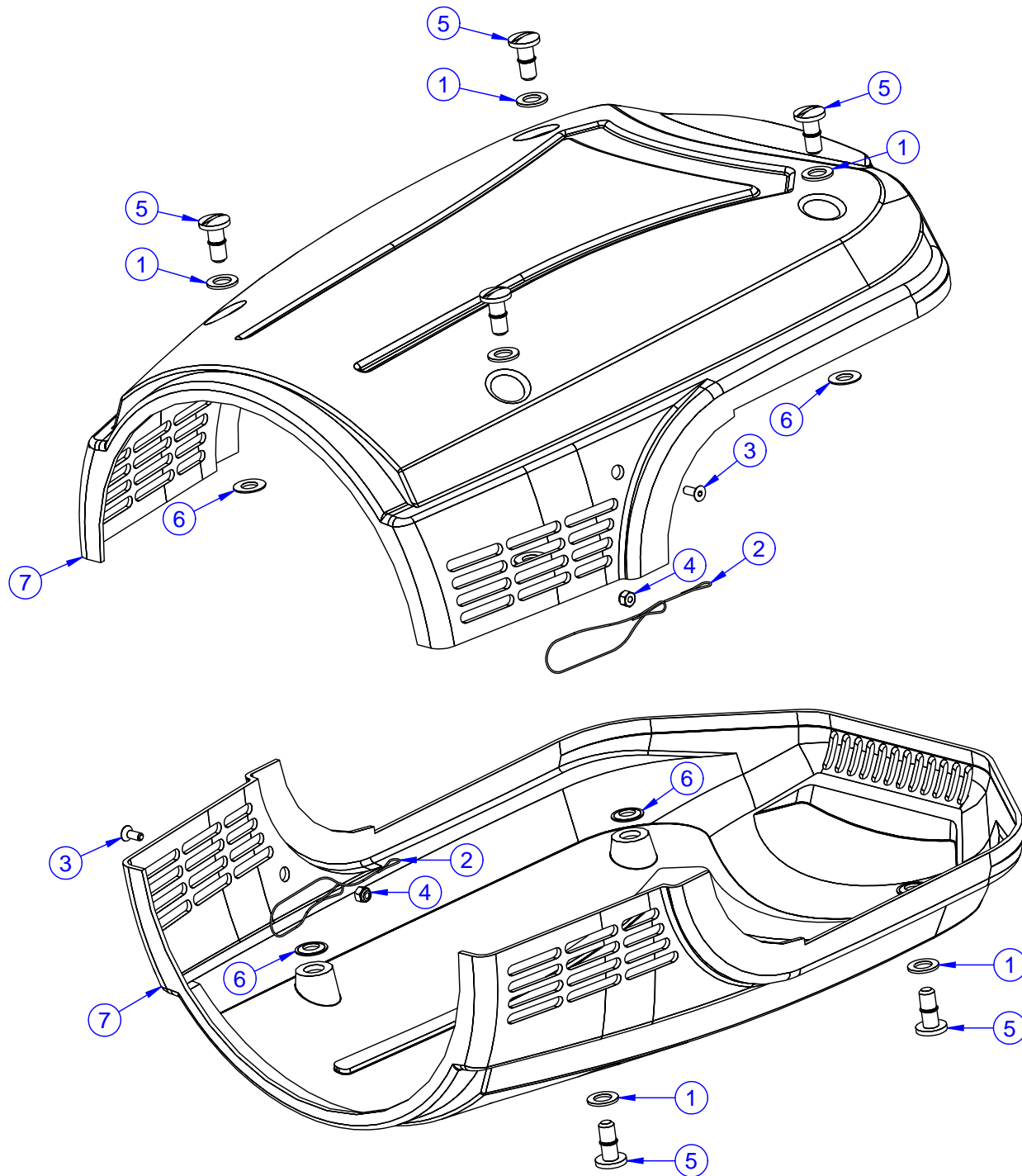
Tel.: 05451/59 00-66 | Fax: 05451/59 00-69 | E-Mail: service@lmp.de



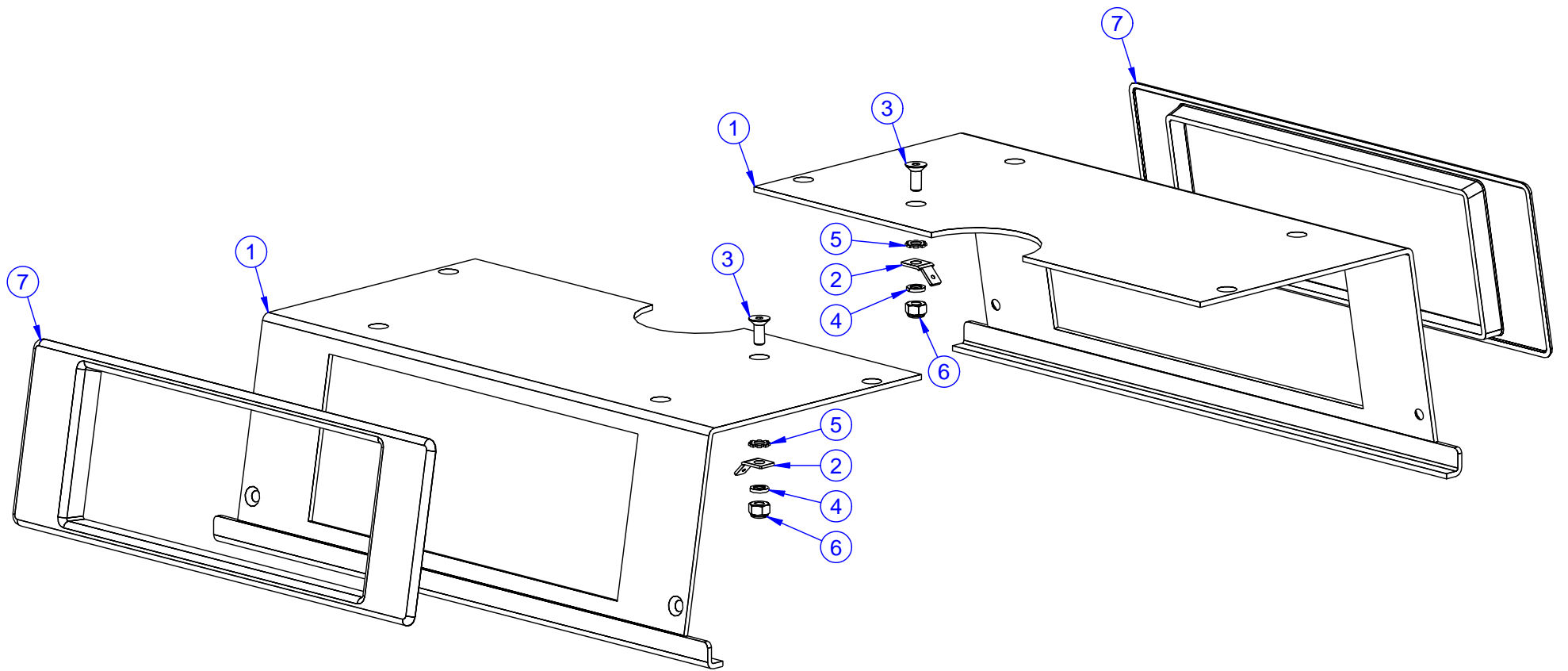
Version: 1



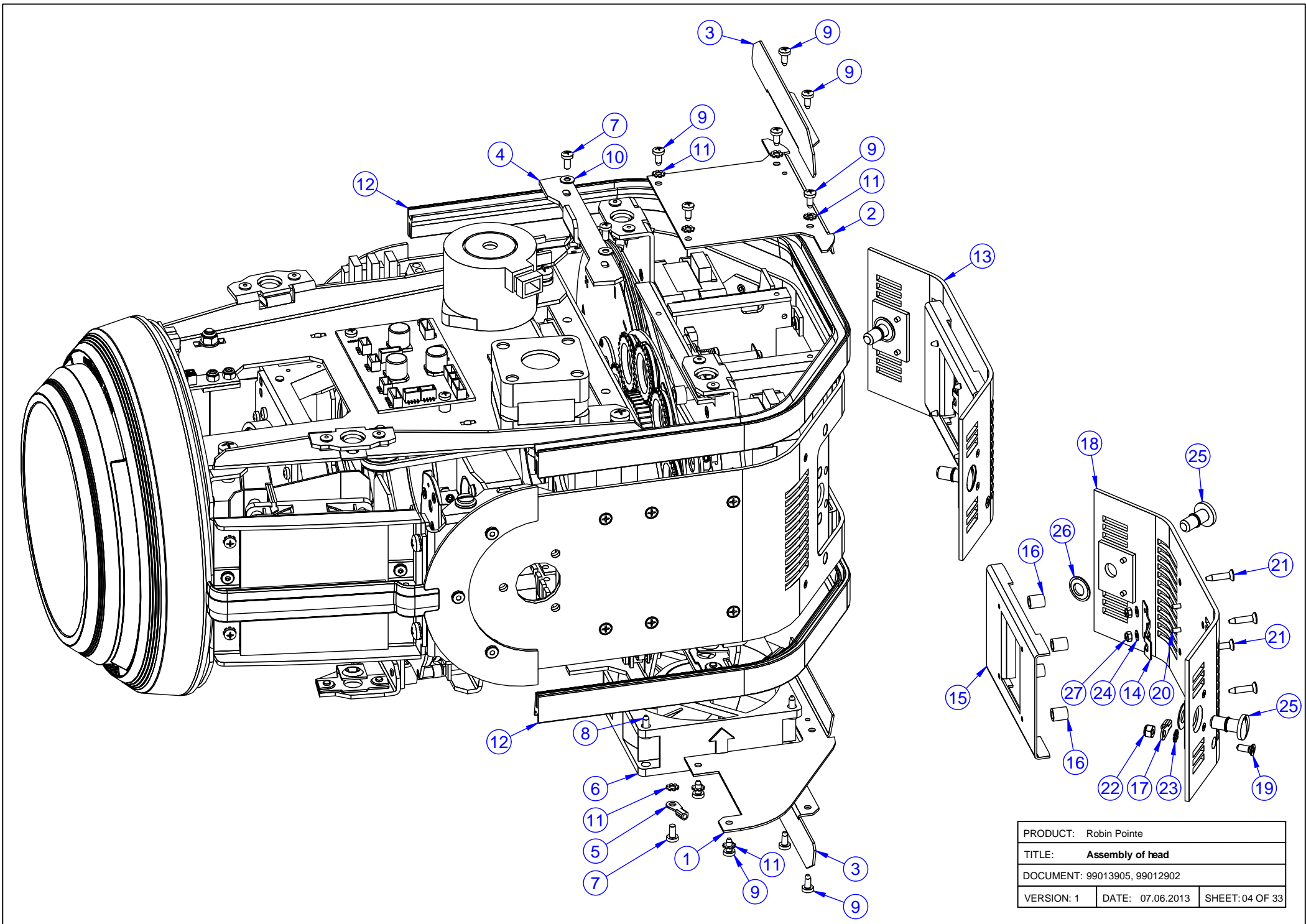
PRODUCT: Robin Pointe		
TITLE: Covers		
DOCUMENT: 99013906		
VERSION: 1	DATE: 07.06.2013	SHEET: 01 OF 33



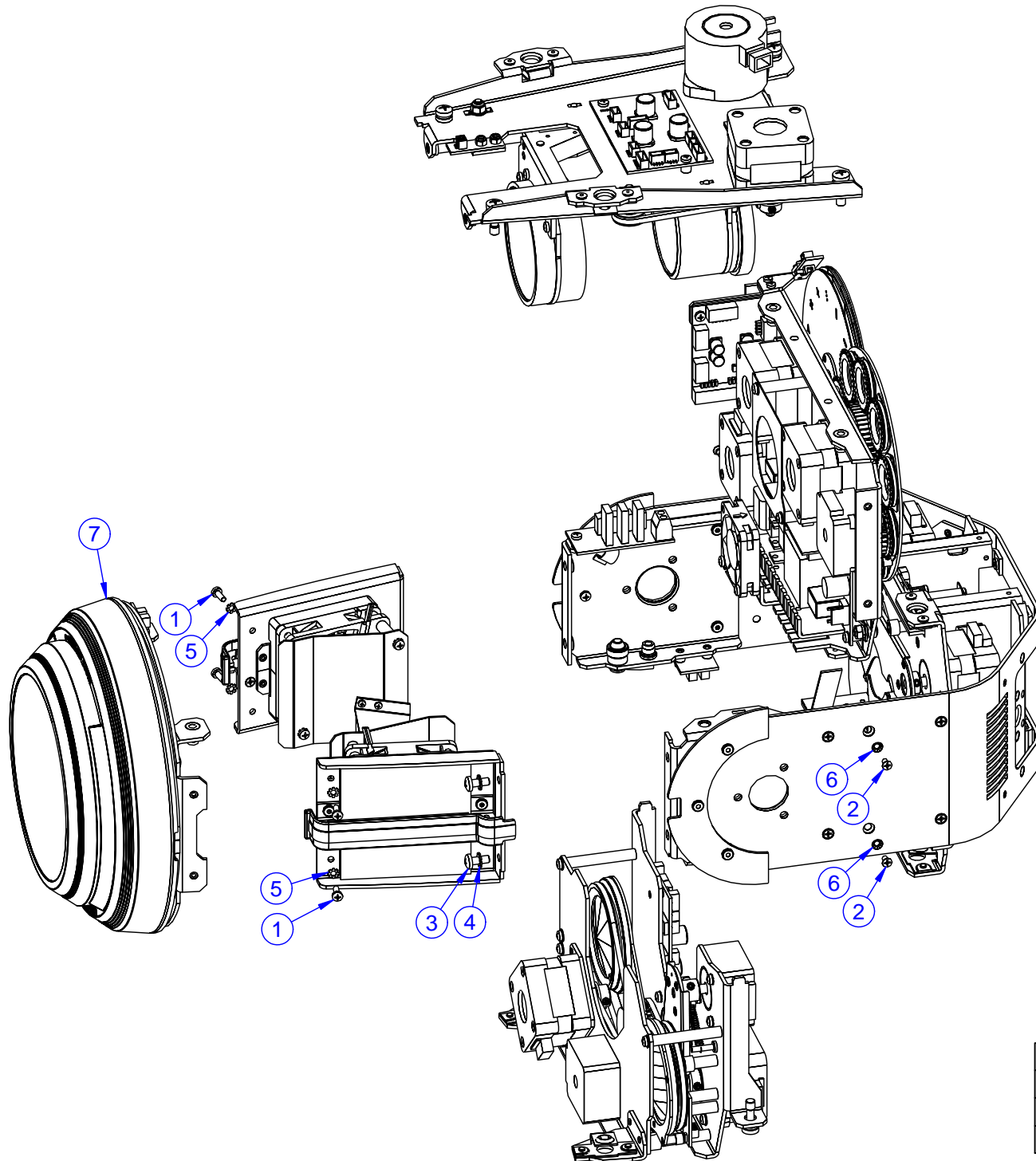
PRODUCT: Robin Pointe		
TITLE: Covers of head		
DOCUMENT: 99013906		
VERSION: 1	DATE: 07.06.2013	SHEET: 02 OF 33



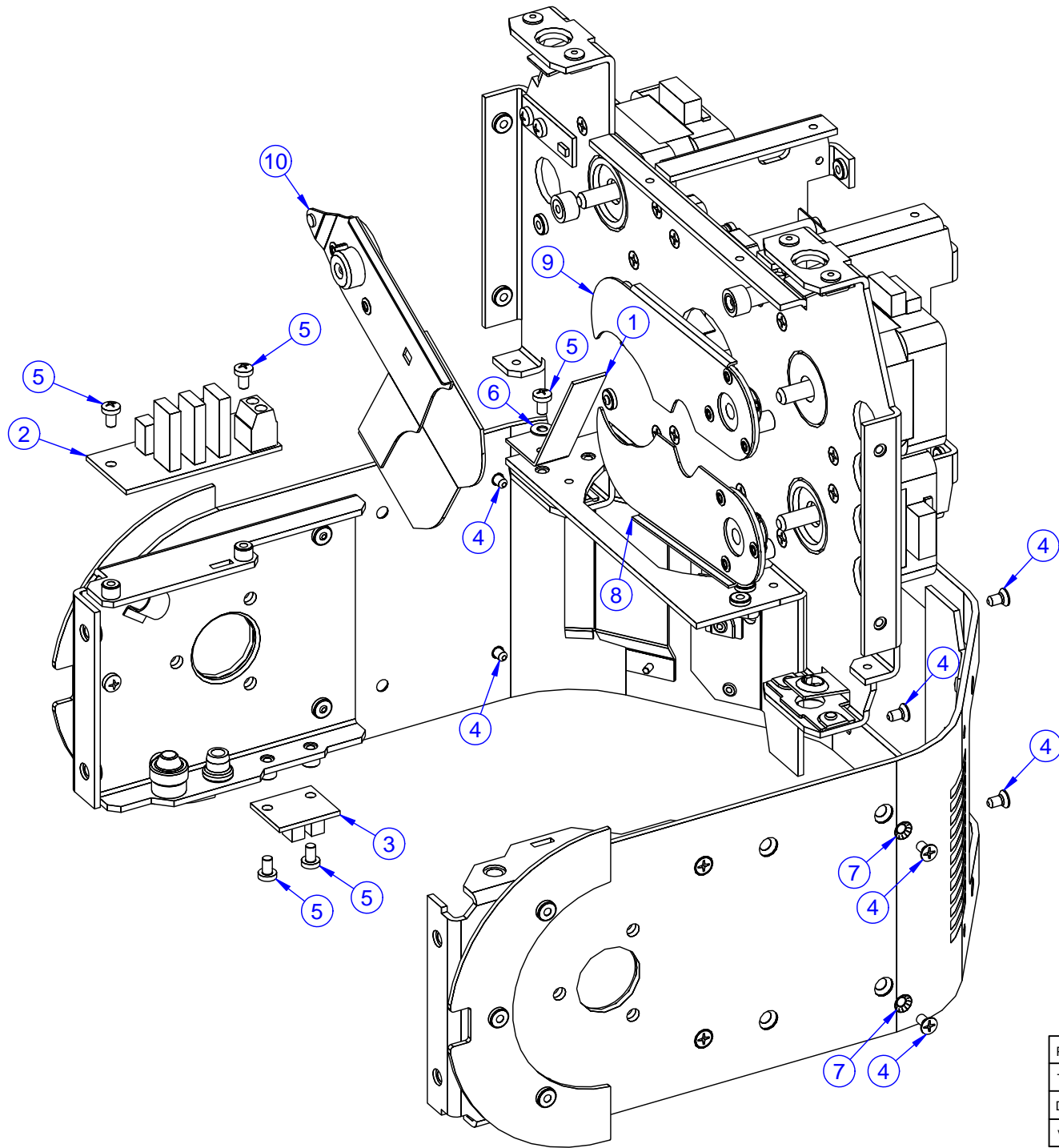
PRODUCT: Robin Pointe		
TITLE: Covers of base		
DOCUMENT: 99013850		
VERSION: 1	DATE: 07.06.2013	SHEET: 03 OF 33



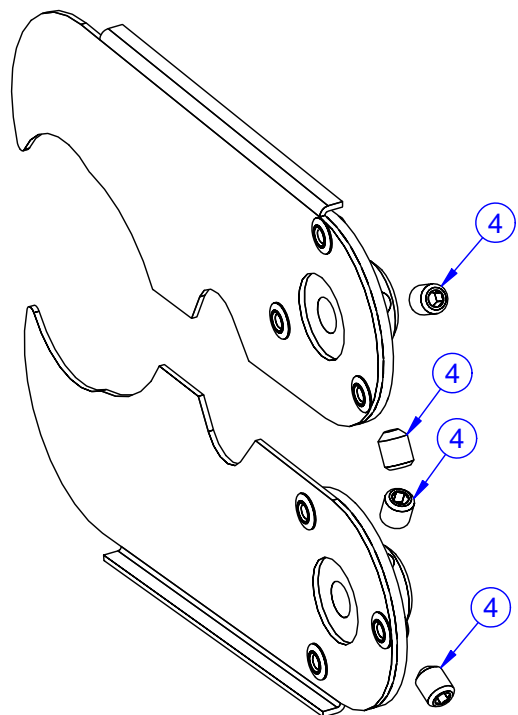
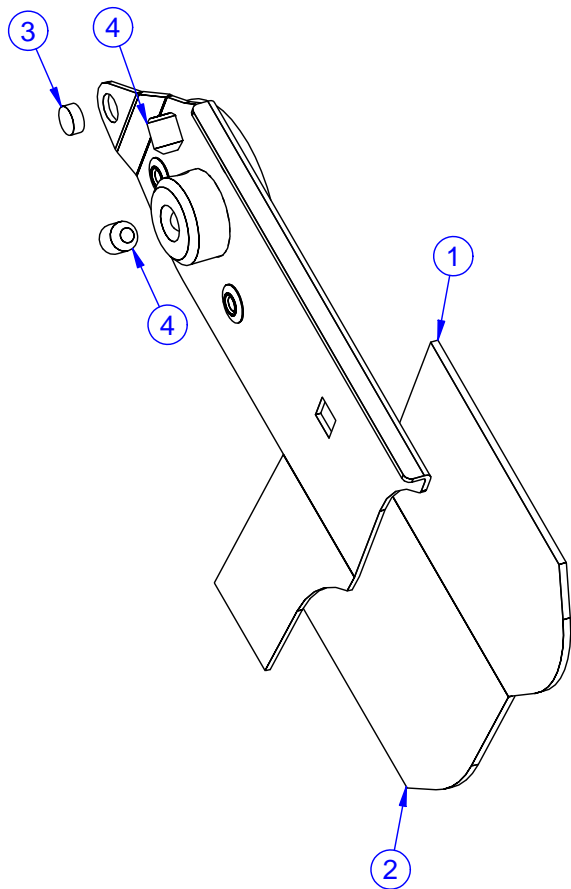
PRODUCT: Robin Point		
TITLE: Assembly of head		
DOCUMENT: 99013905, 99012902		
VERSION: 1	DATE: 07.06.2013	SHEET: 04 OF 33



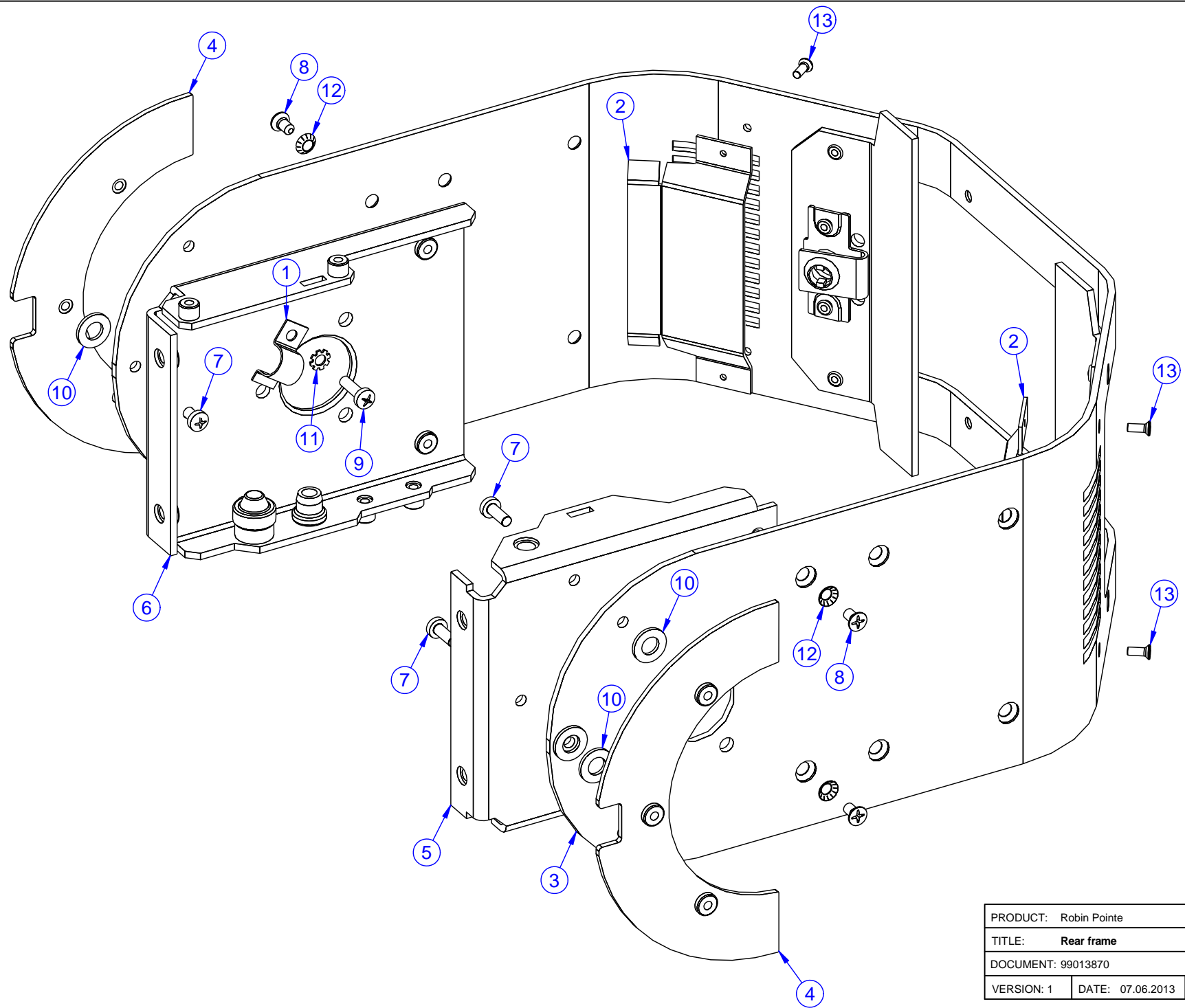
PRODUCT: Robin Pointe		
TITLE: Head - exploded		
DOCUMENT: 99013905		
VERSION: 1	DATE: 07.06.2013	SHEET: 05 OF 33



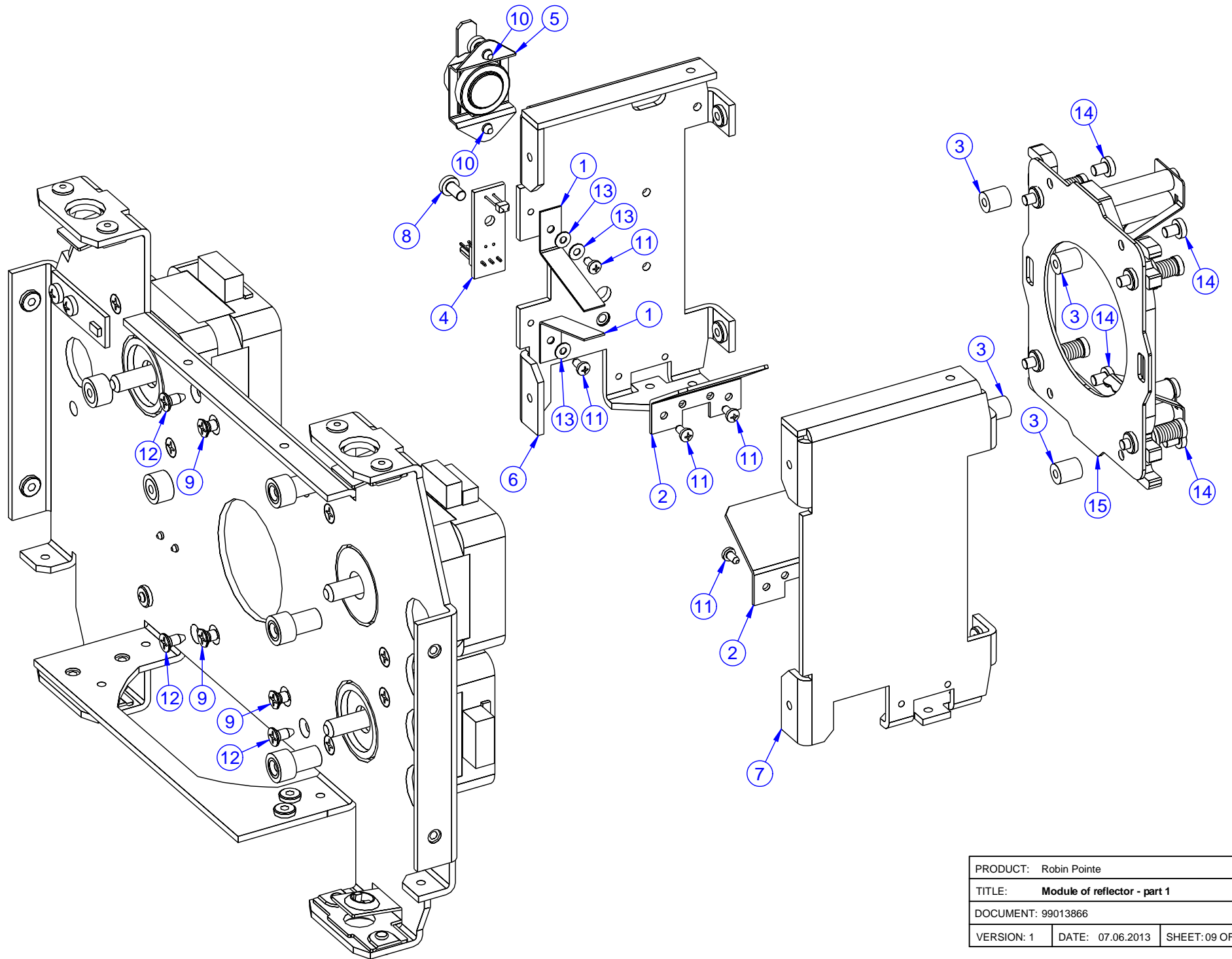
PRODUCT: Robin Pointe		
TITLE: Gripping of module of reflector		
DOCUMENT: 99013870		
VERSION: 1	DATE: 07.06.2013	SHEET: 06 OF 33



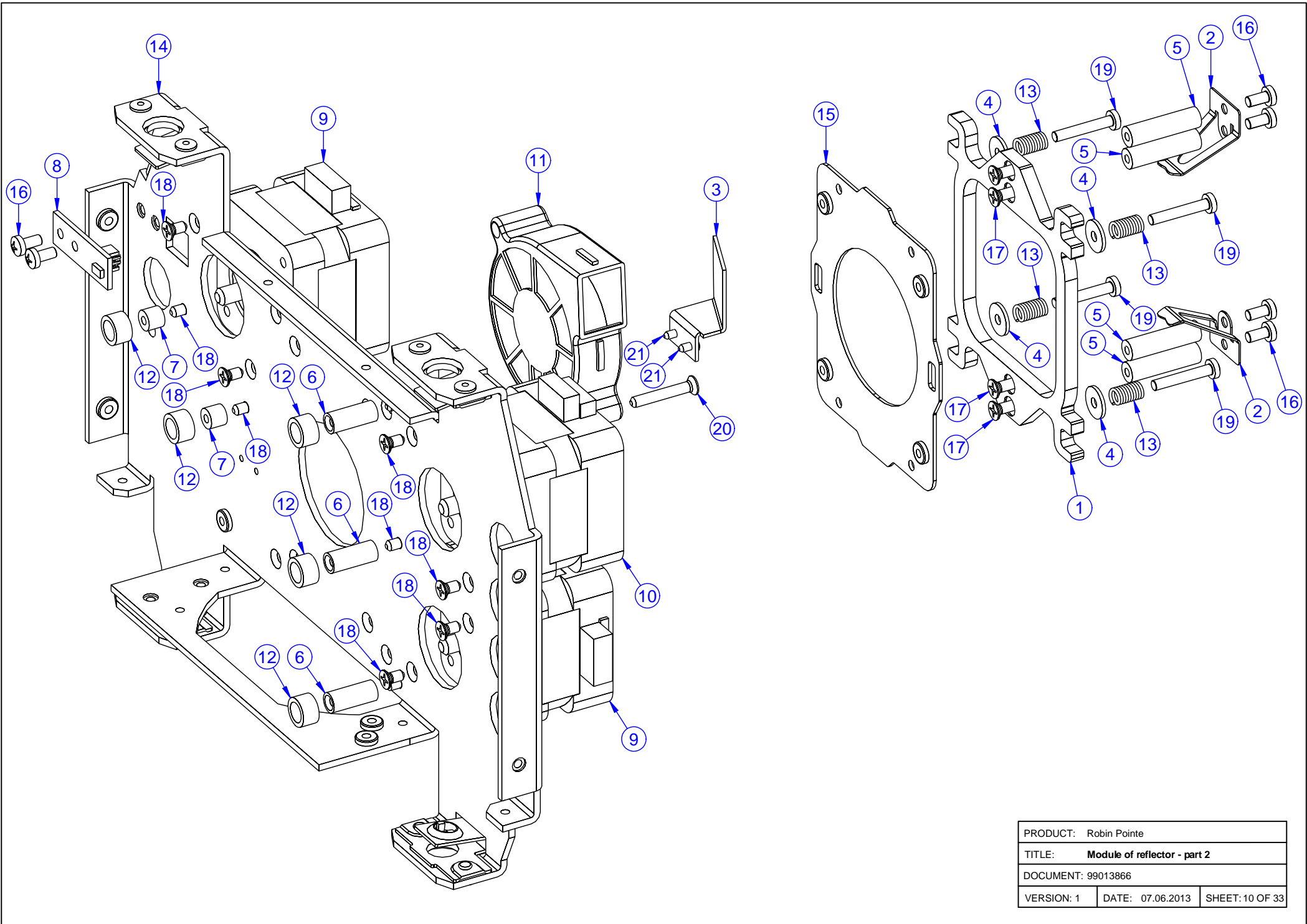
PRODUCT: Robin Pointe		
TITLE: Lamelle - exploded		
DOCUMENT: 99013870		
VERSION: 1	DATE: 07.06.2013	SHEET: 07 OF 33



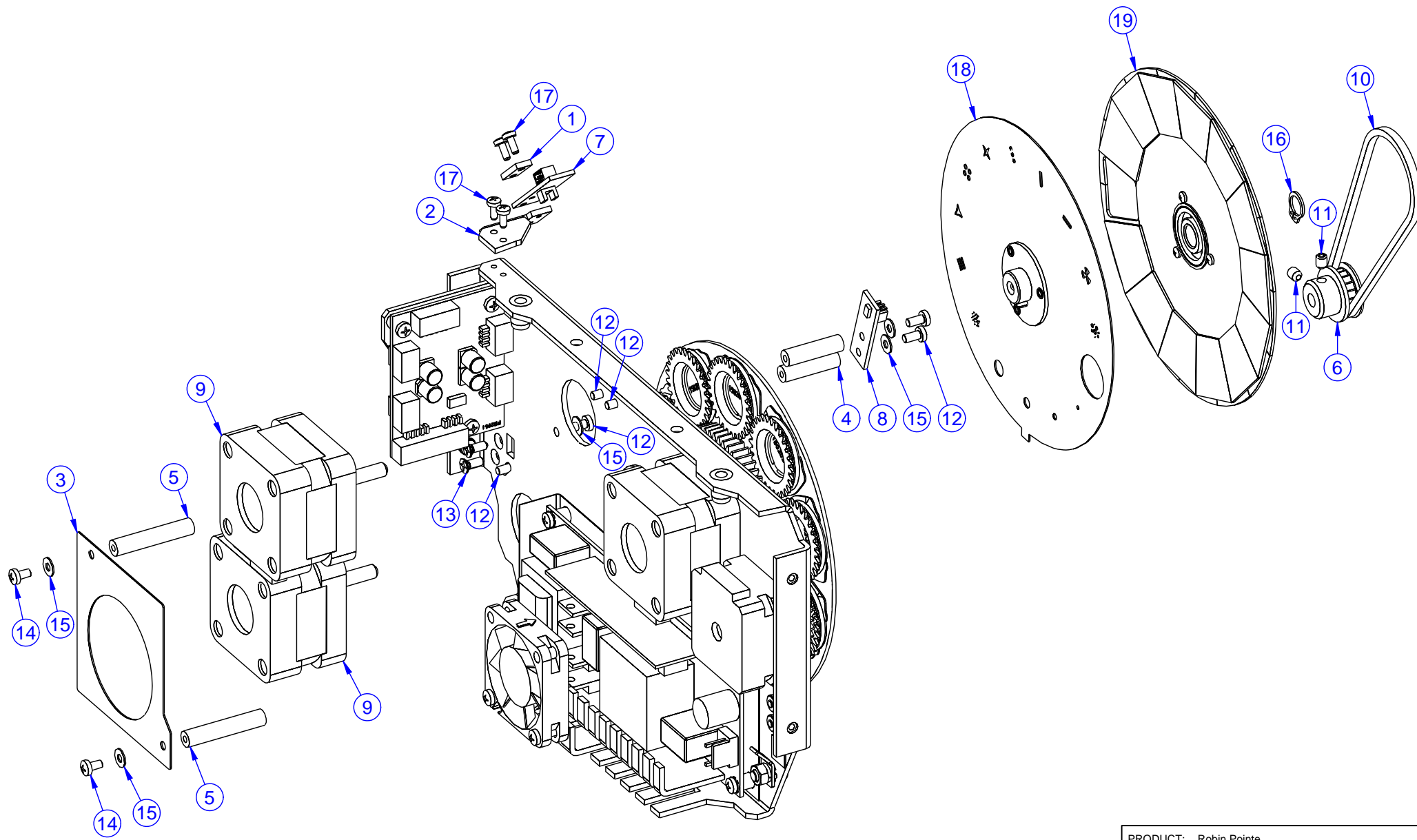
PRODUCT: Robin Pointe		
TITLE: Rear frame		
DOCUMENT: 99013870		
VERSION: 1	DATE: 07.06.2013	SHEET: 08 OF 33



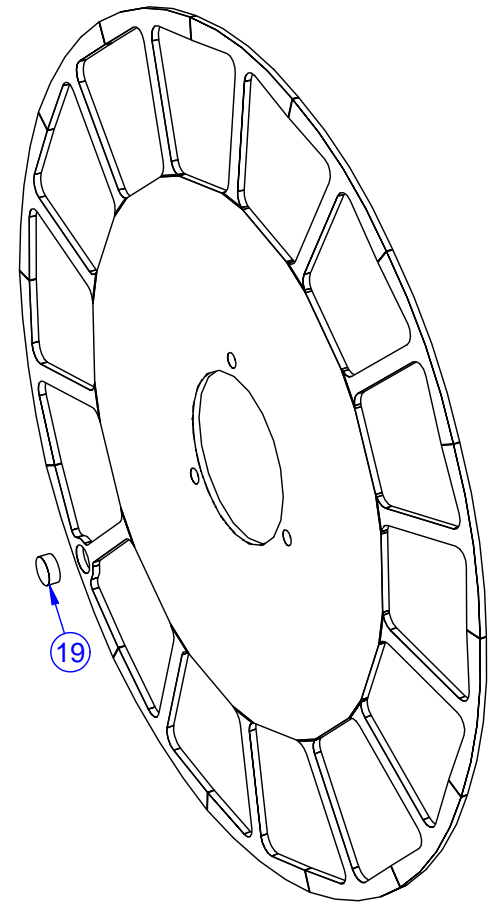
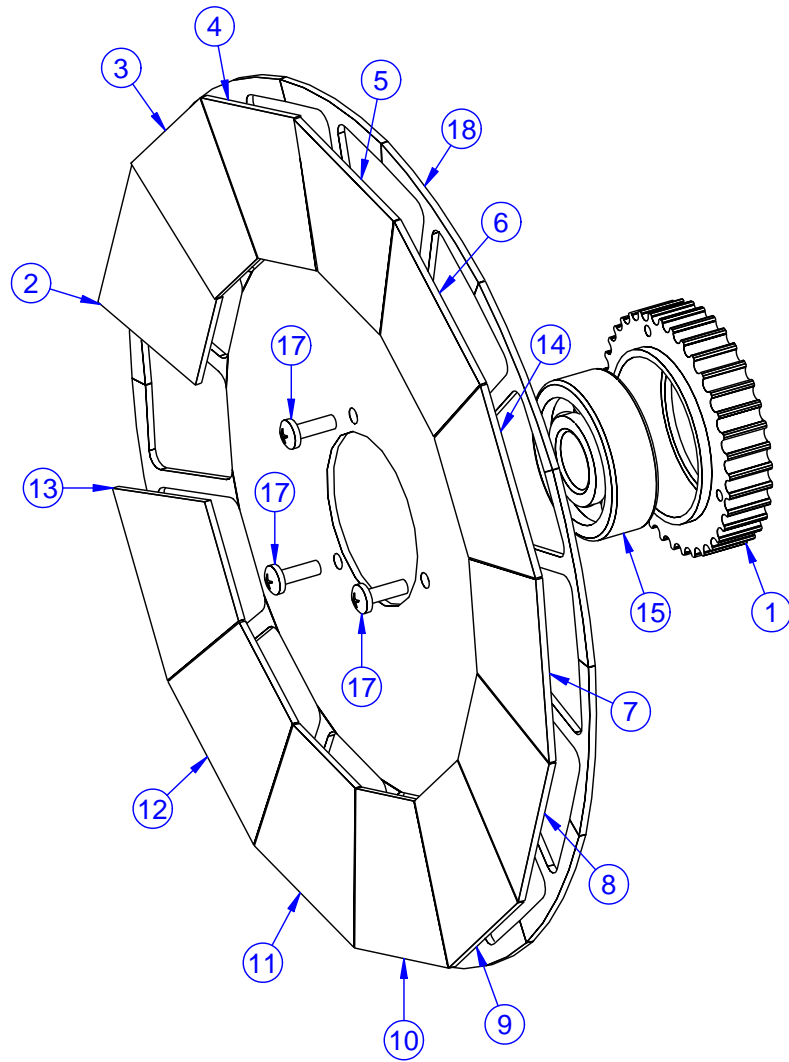
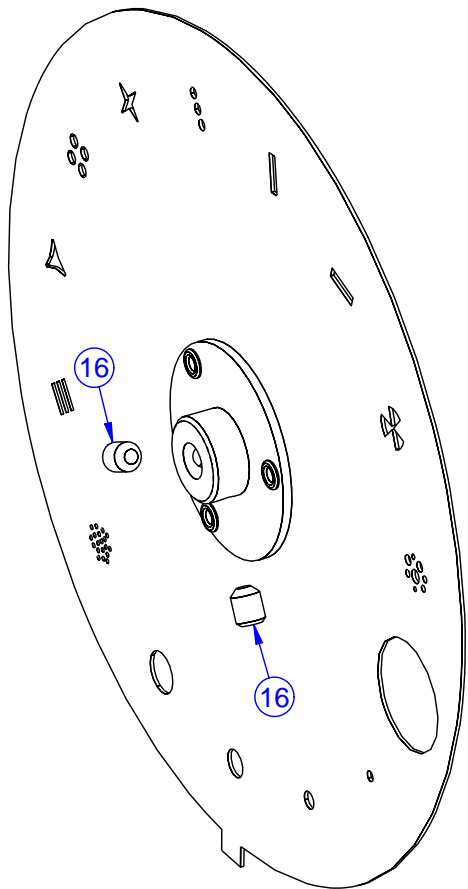
PRODUCT: Robin Pointe		
TITLE: Module of reflector - part 1		
DOCUMENT: 99013866		
VERSION: 1	DATE: 07.06.2013	SHEET: 09 OF 33



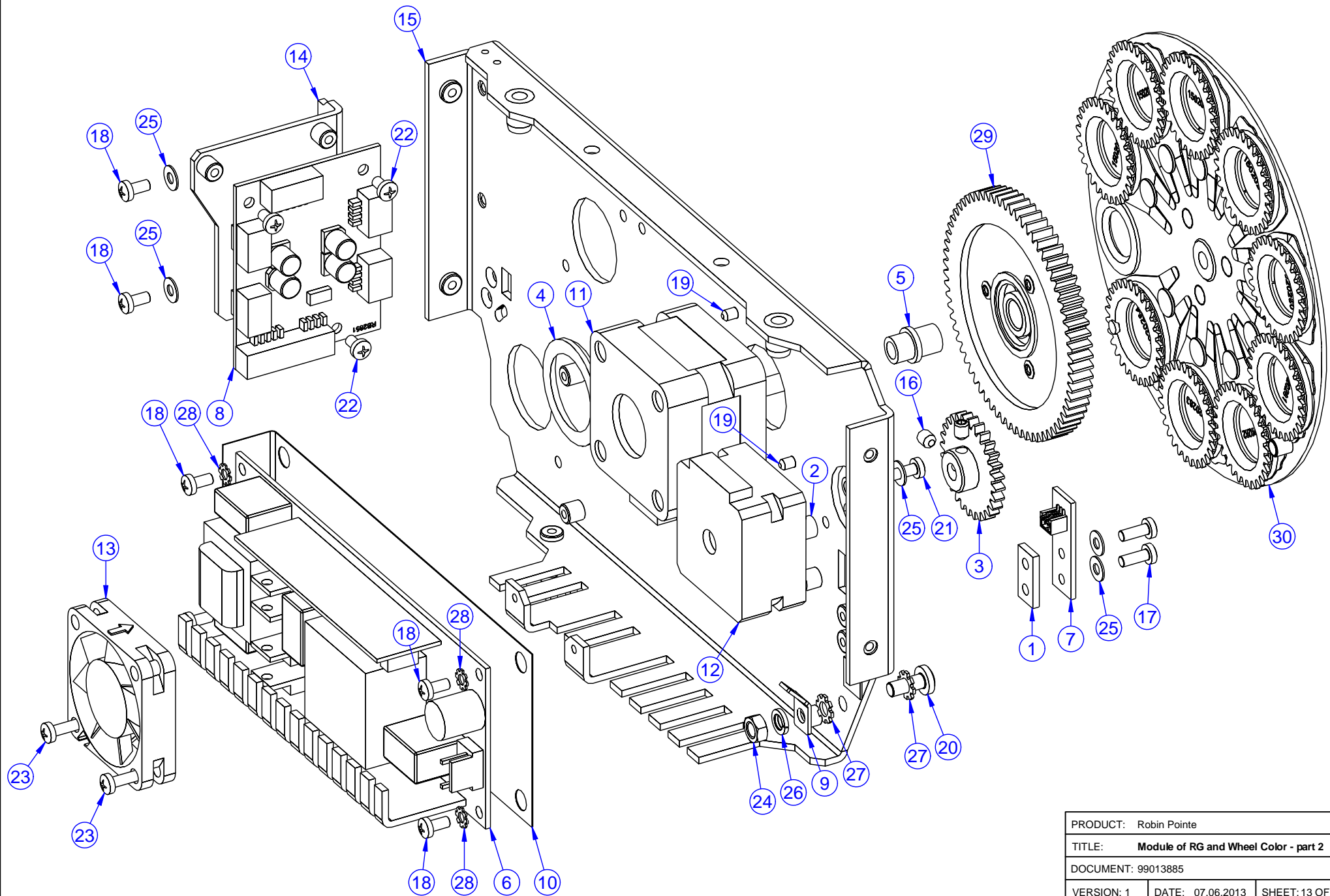
PRODUCT: Robin Pointe		
TITLE: Module of reflector - part 2		
DOCUMENT: 99013866		
VERSION: 1	DATE: 07.06.2013	SHEET: 10 OF 33



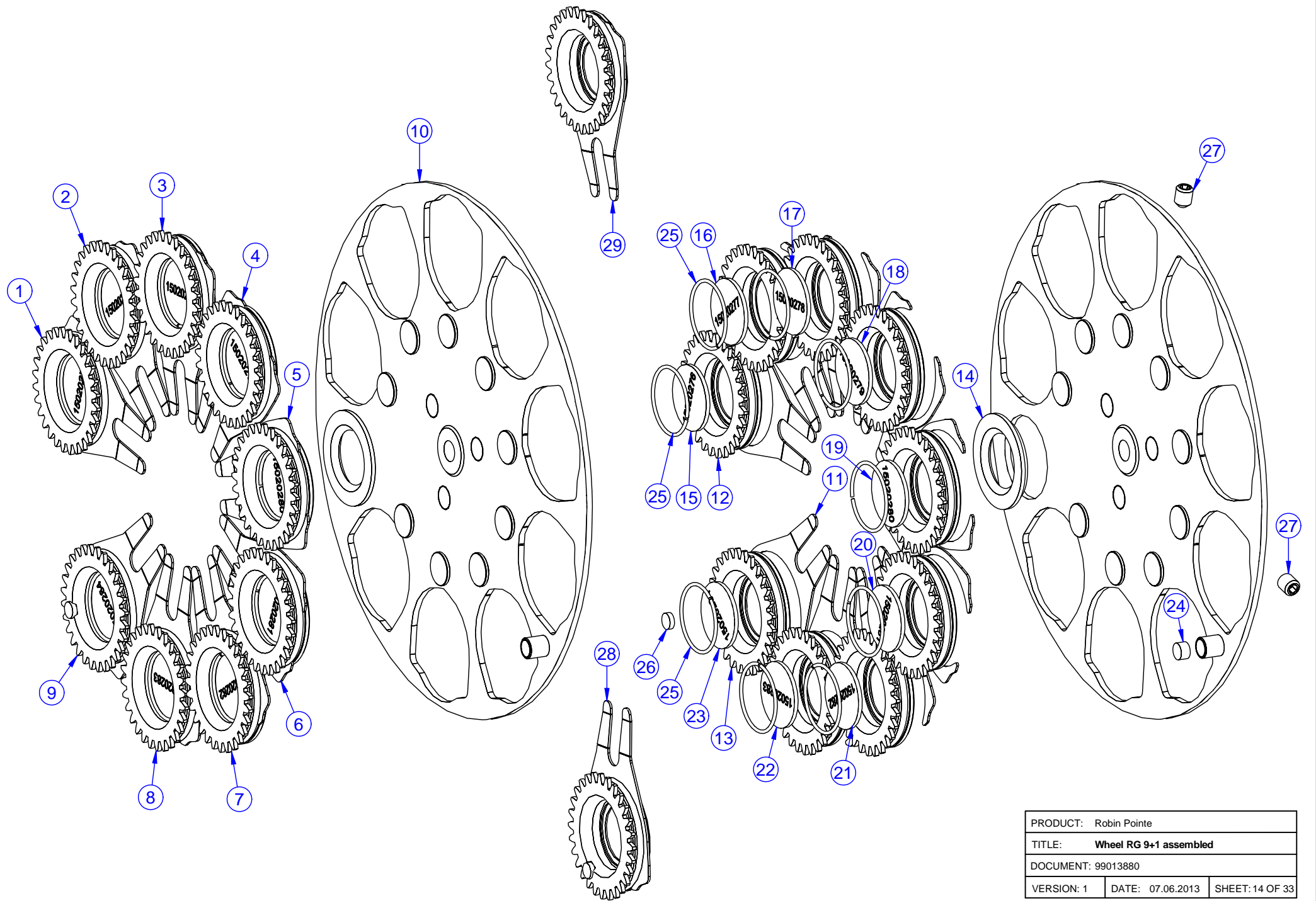
PRODUCT: Robin Pointe		
TITLE: Module of RG and Wheel Color - part 1		
DOCUMENT: 99013885		
VERSION: 1	DATE: 07.06.2013	SHEET: 11 OF 33



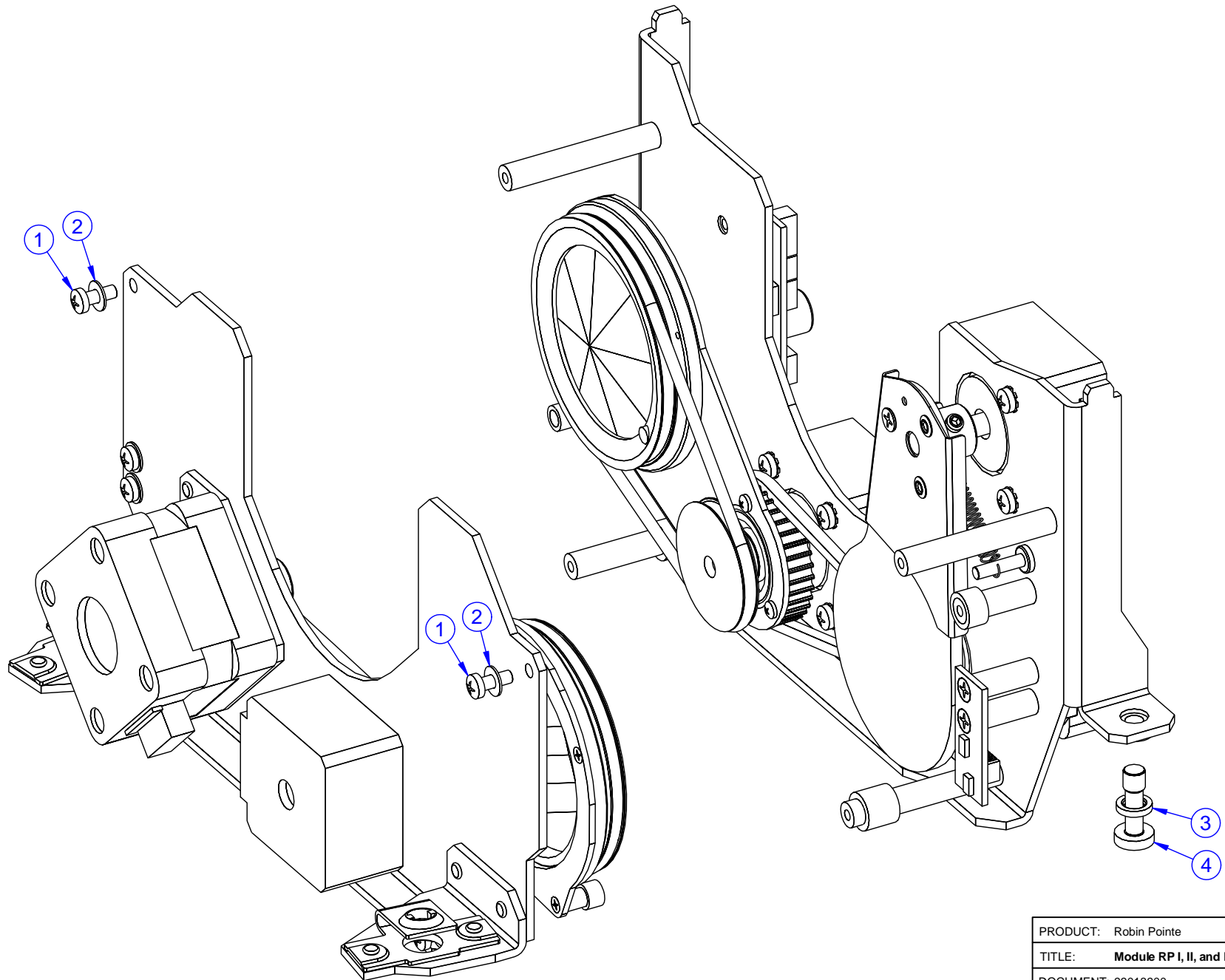
PRODUCT: Robin Pointe		
TITLE: Wheel Color and Gobo FG - exploded		
DOCUMENT: 99013885		
VERSION: 1	DATE: 07.06.2013	SHEET: 12 OF 33



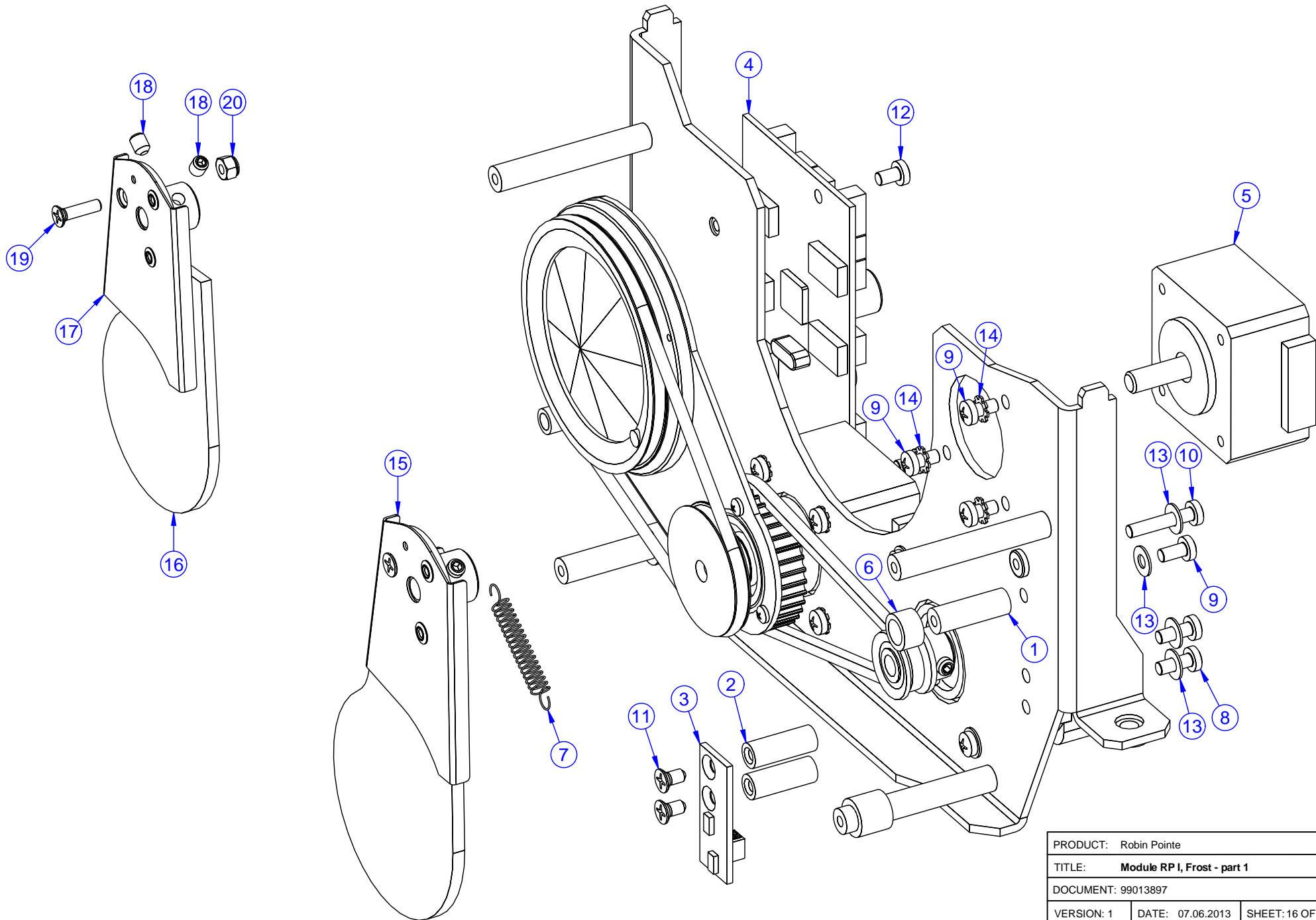
PRODUCT: Robin Pointe		
TITLE: Module of RG and Wheel Color - part 2		
DOCUMENT: 99013885		
VERSION: 1	DATE: 07.06.2013	SHEET: 13 OF 33



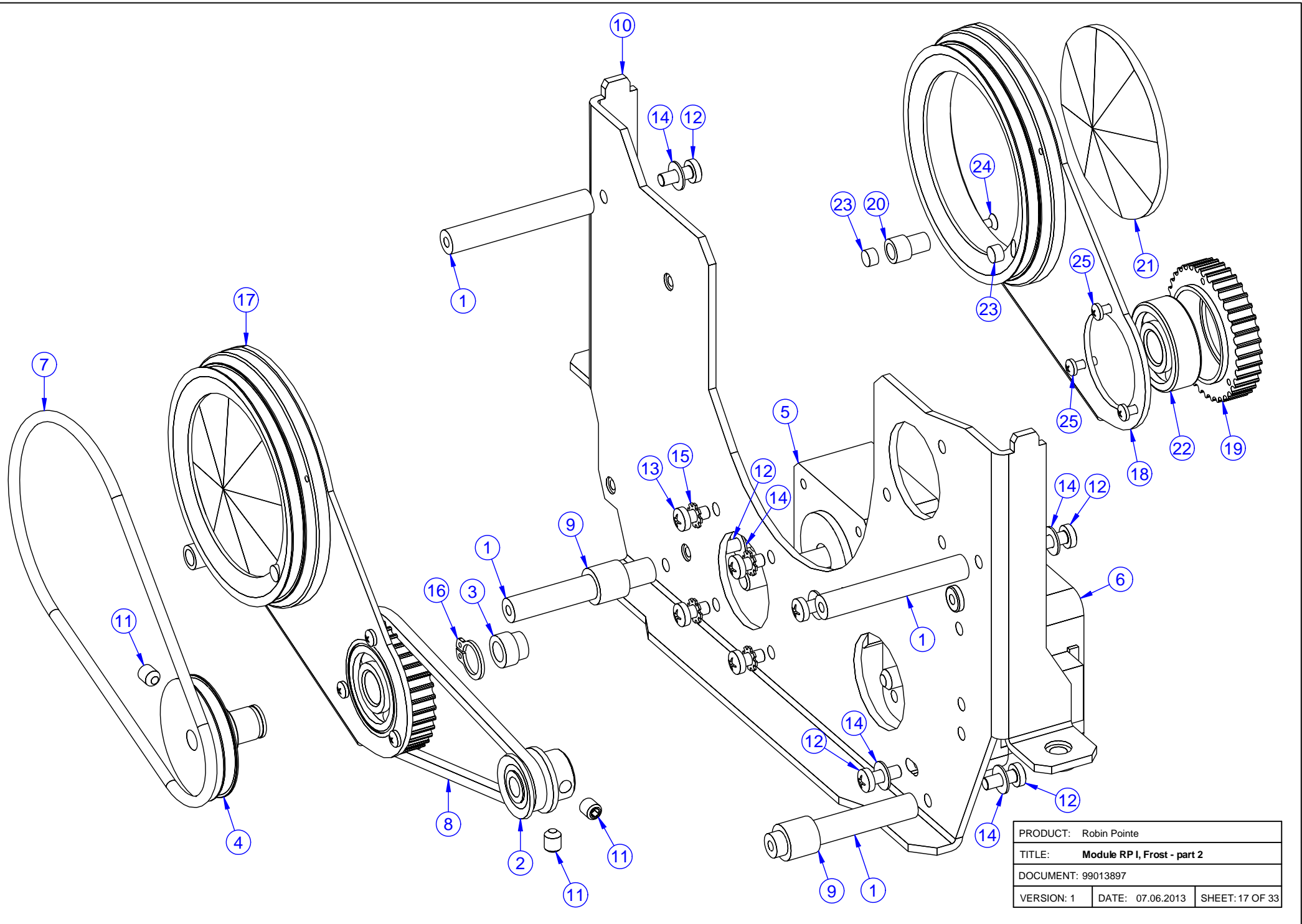
PRODUCT: Robin Pointe		
TITLE: Wheel RG 9+1 assembled		
DOCUMENT: 99013880		
VERSION: 1	DATE: 07.06.2013	SHEET: 14 OF 33



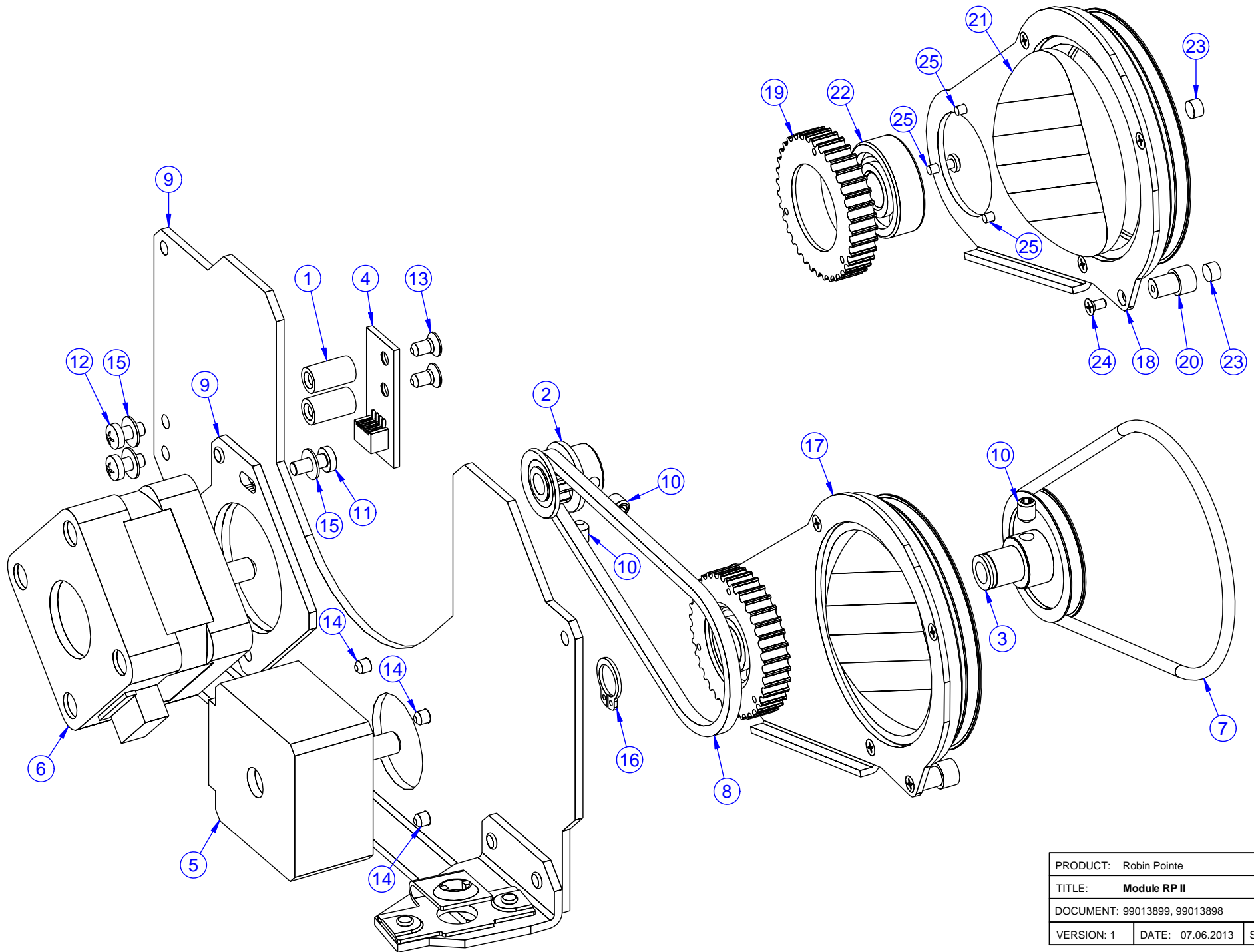
PRODUCT: Robin Pointe		
TITLE: Module RP I, II, and Frost		
DOCUMENT: 99013900		
VERSION: 1	DATE: 07.06.2013	SHEET: 15 OF 33



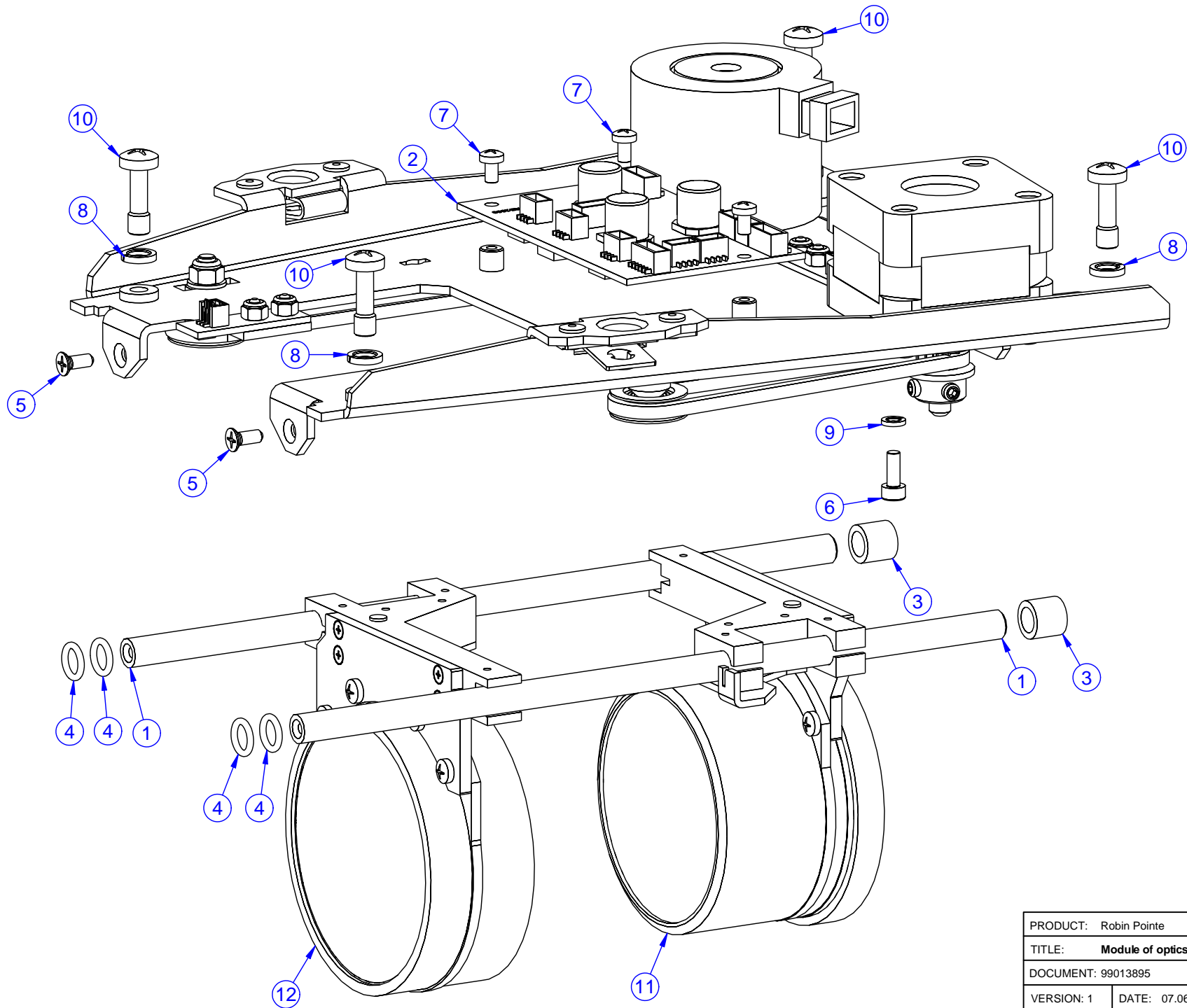
PRODUCT: Robin Pointe		
TITLE: Module RP I, Frost - part 1		
DOCUMENT: 99013897		
VERSION: 1	DATE: 07.06.2013	SHEET: 16 OF 33



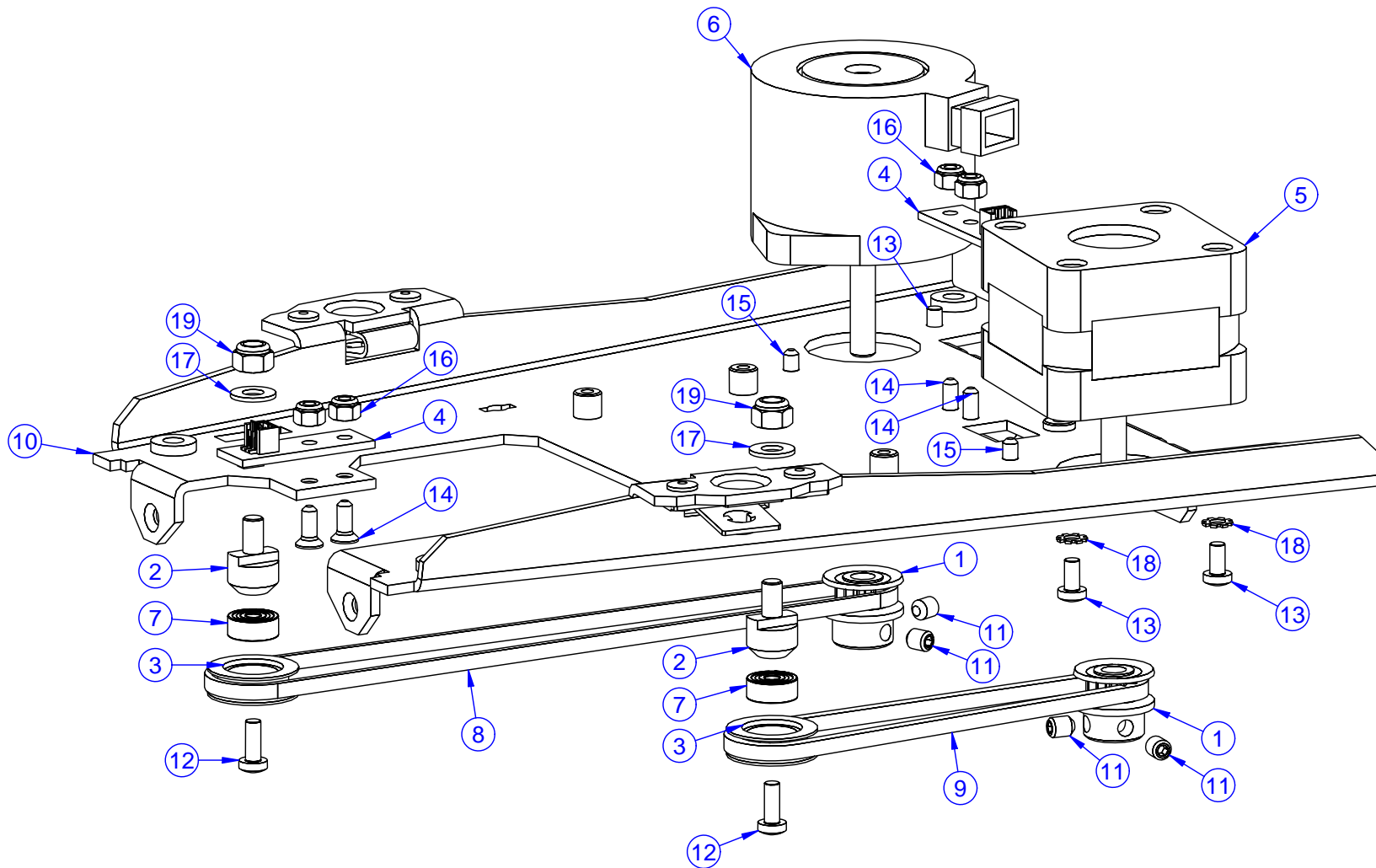
PRODUCT: Robin Pointe		
TITLE: Module RP I, Frost - part 2		
DOCUMENT: 99013897		
VERSION: 1	DATE: 07.06.2013	SHEET: 17 OF 33



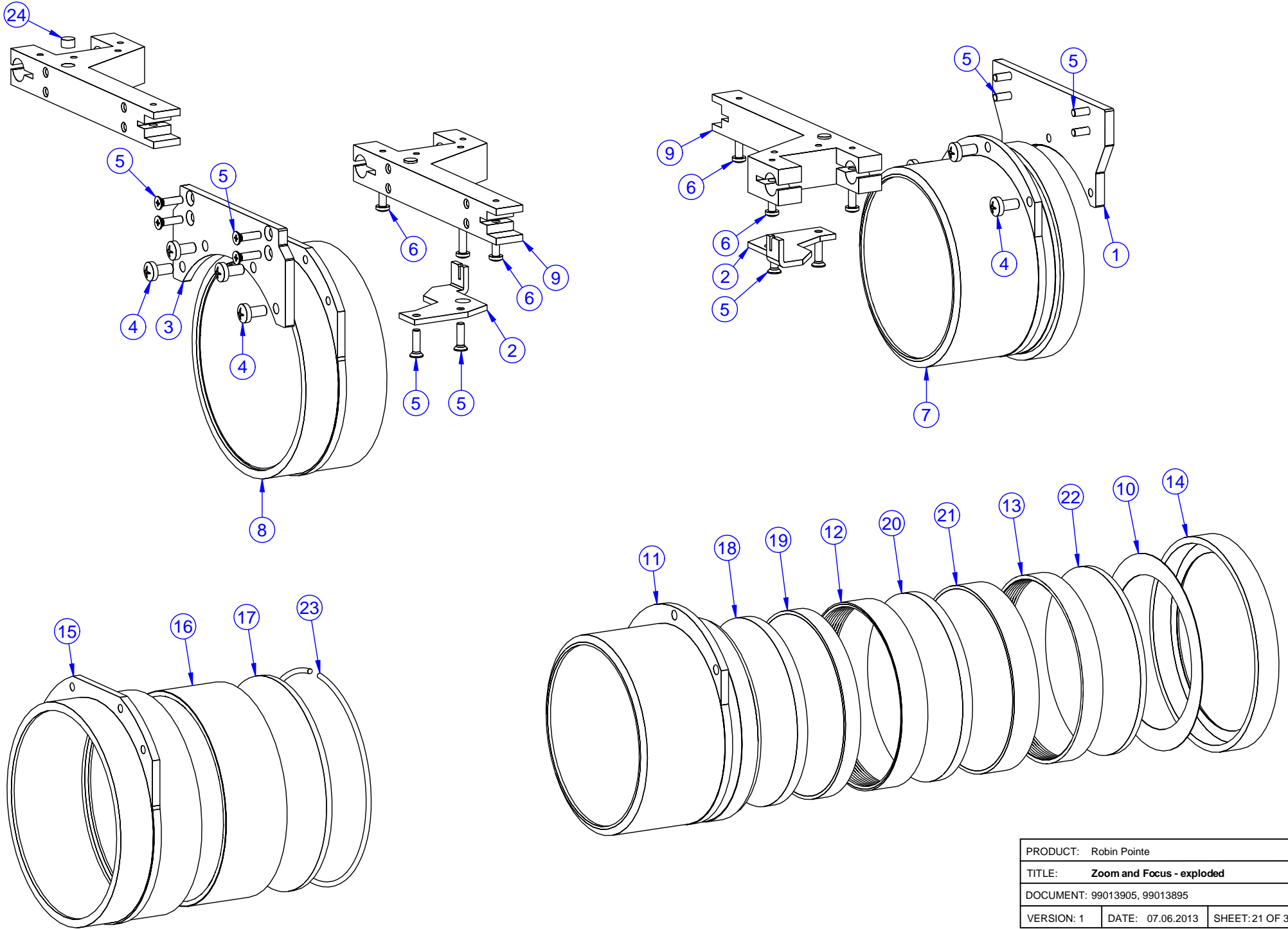
PRODUCT: Robin Pointe		
TITLE: Module RP II		
DOCUMENT: 99013899, 99013898		
VERSION: 1	DATE: 07.06.2013	SHEET: 18 OF 33



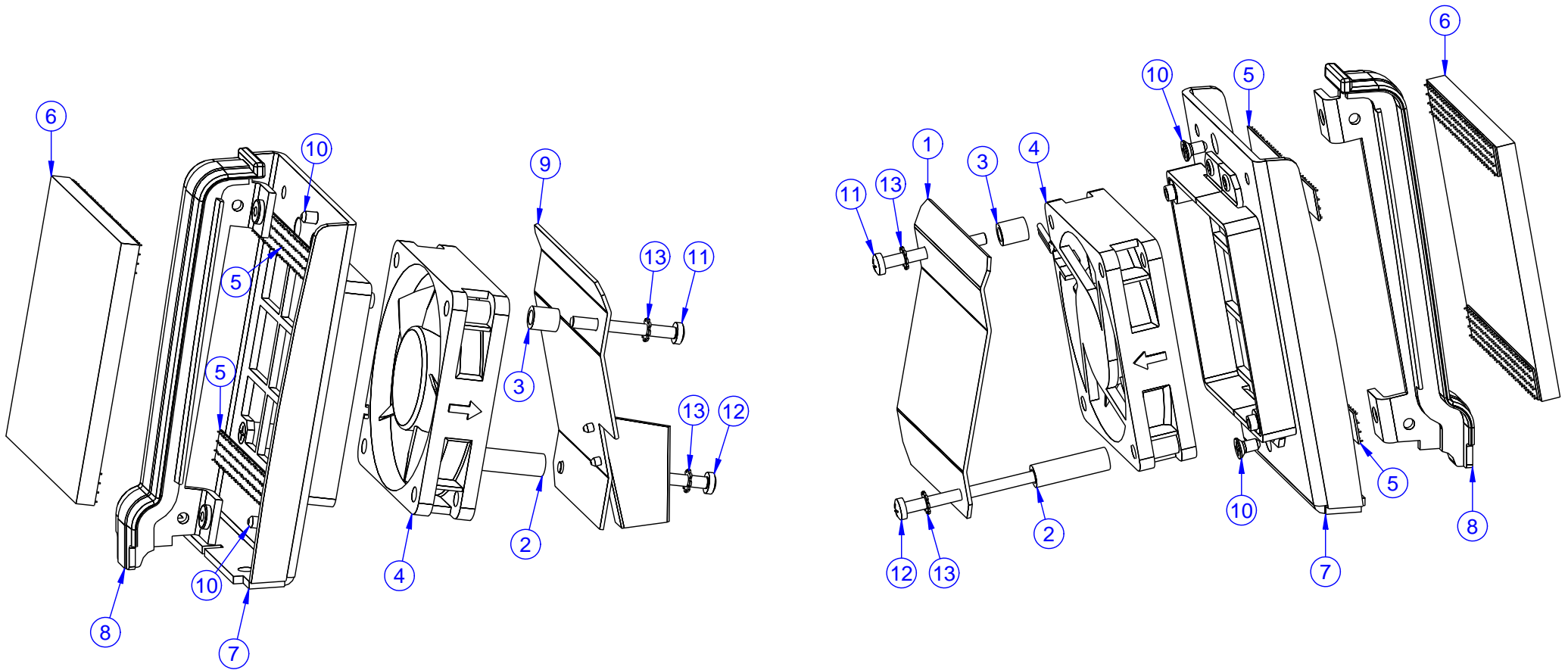
PRODUCT: Robin Pointe		
TITLE: Module of optics		
DOCUMENT: 99013895		
VERSION: 1	DATE: 07.06.2013	SHEET: 19 OF 33



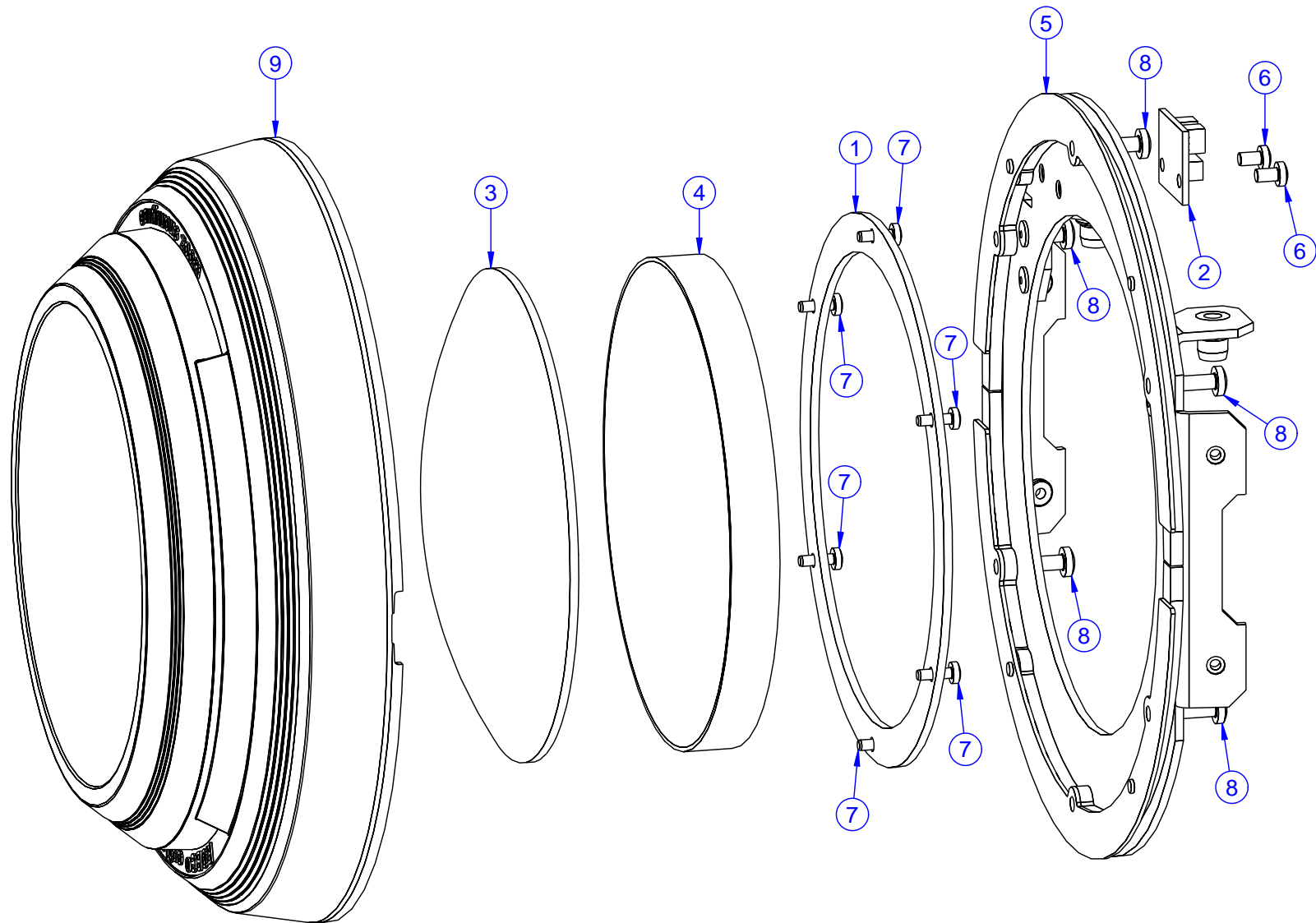
PRODUCT: Robin Pointe		
TITLE: Holder of optics		
DOCUMENT: 99013895		
VERSION: 1	DATE: 07.06.2013	SHEET: 20 OF 33



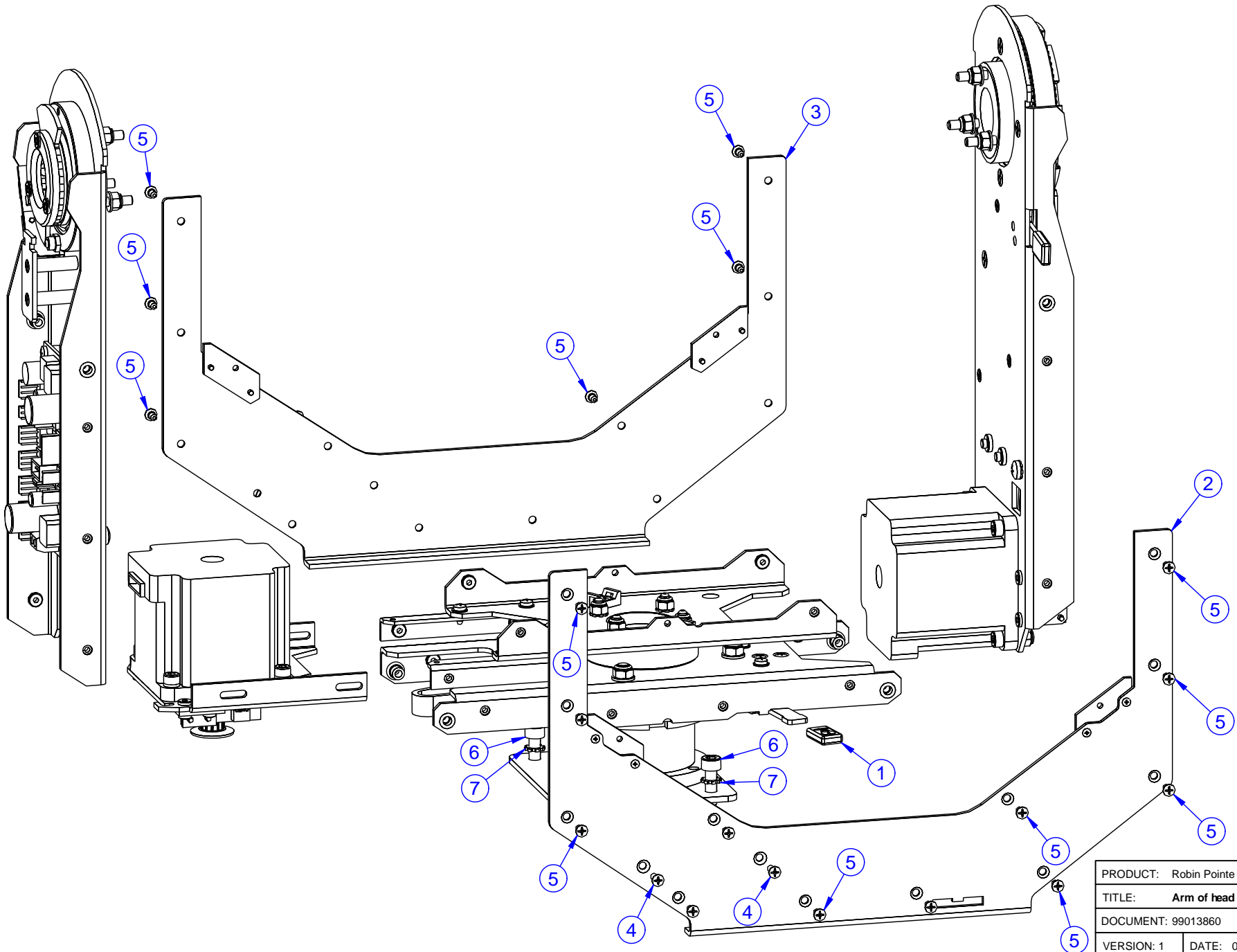
PRODUCT: Robin Pointe		
TITLE: Zoom and Focus - exploded		
DOCUMENT: 99013905, 99013895		
VERSION: 1	DATE: 07.06.2013	SHEET: 21 OF 33



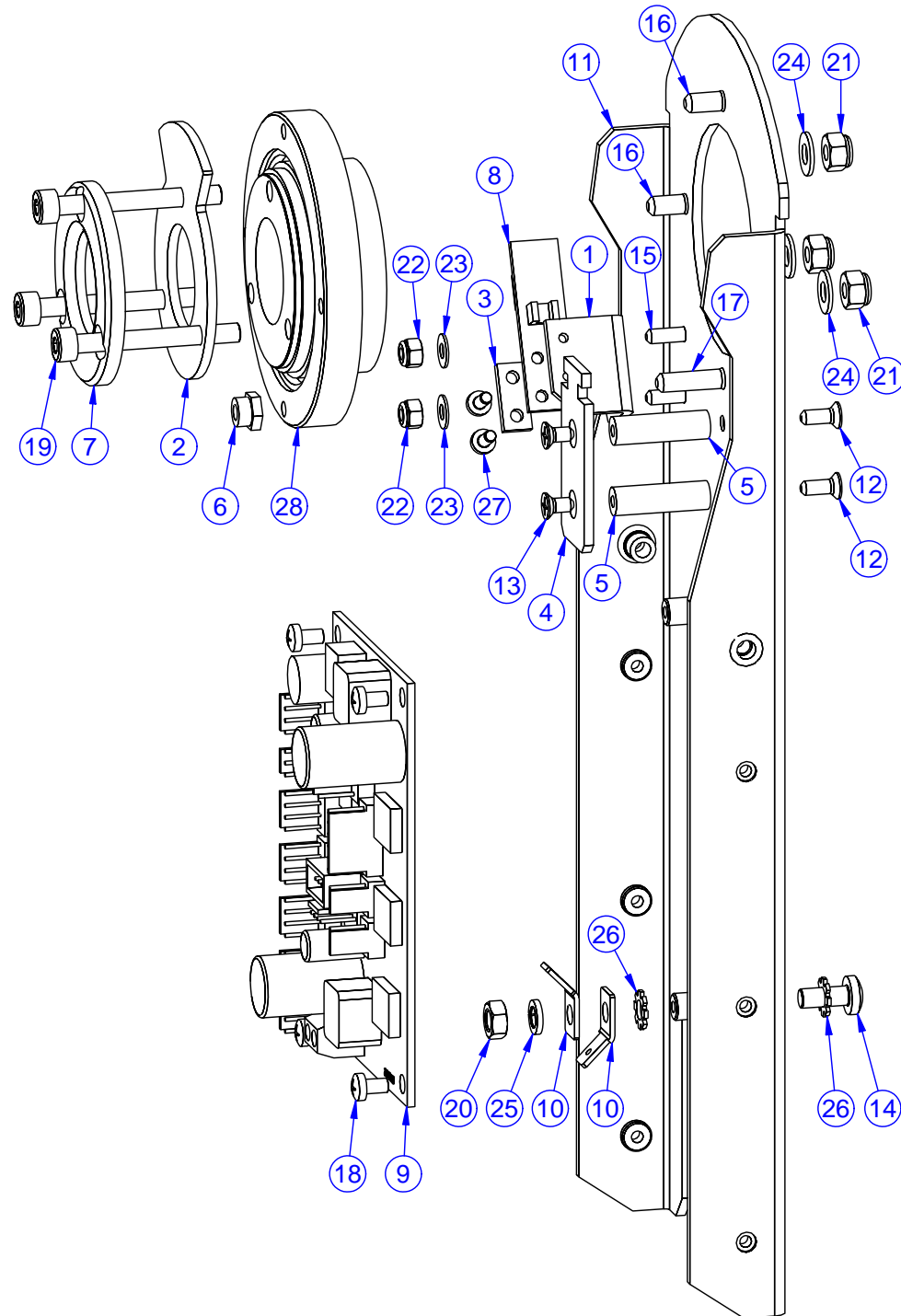
PRODUCT: Robin Pointe		
TITLE: Brace with rubber H profile and fans		
DOCUMENT: 99013905		
VERSION: 1	DATE: 07.06.2013	SHEET: 22 OF 33



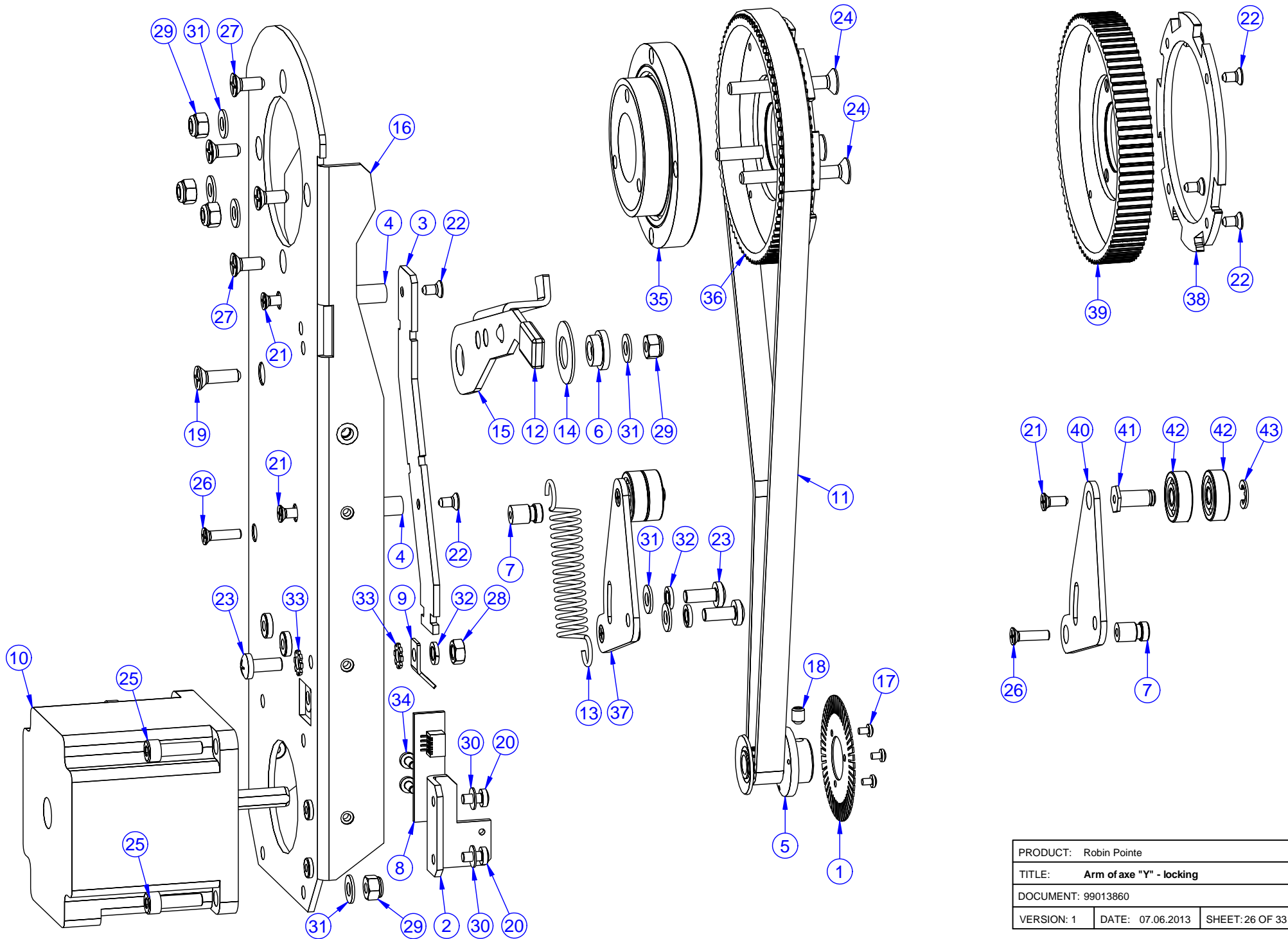
PRODUCT: Robin Pointe		
TITLE: Module of objective		
DOCUMENT: 99013888		
VERSION: 1	DATE: 07.06.2013	SHEET: 23 OF 33

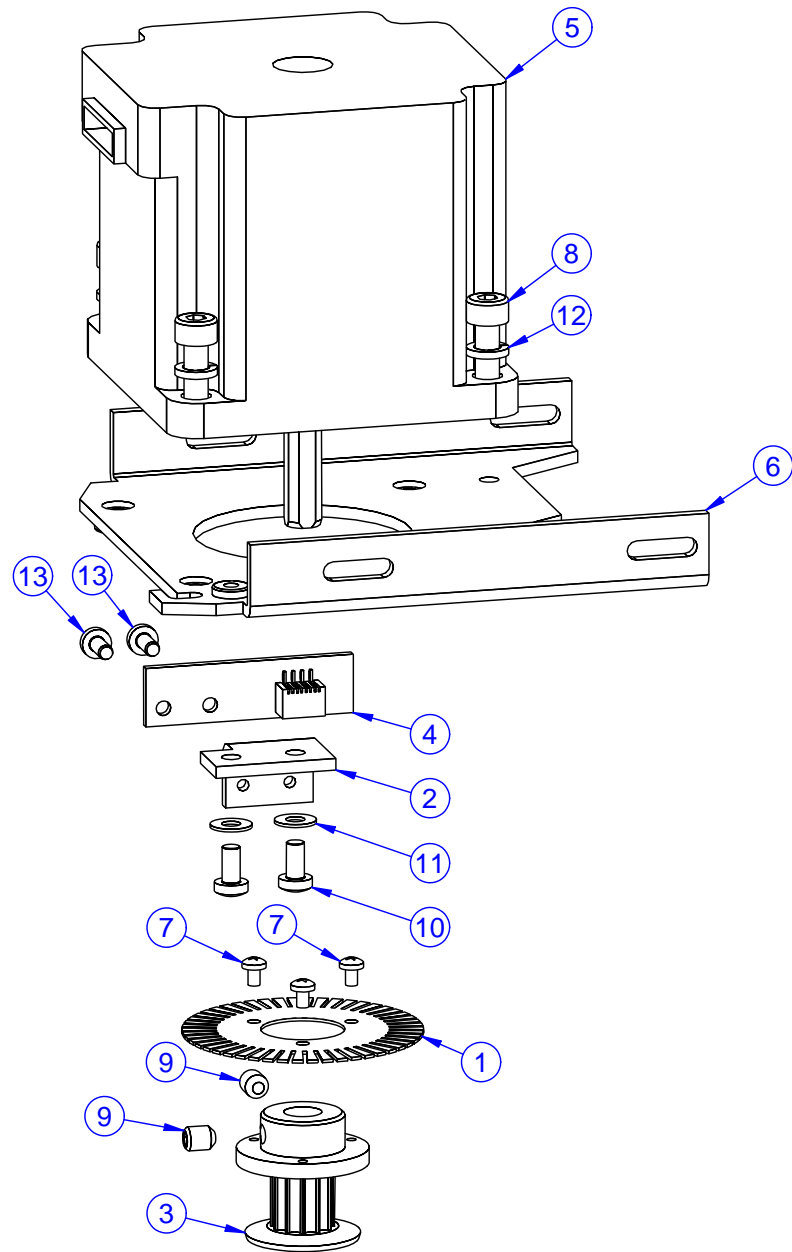


PRODUCT: Robin Pointe		
TITLE: Arm of head		
DOCUMENT: 99013860		
VERSION: 1	DATE: 07.06.2013	SHEET: 24 OF 33

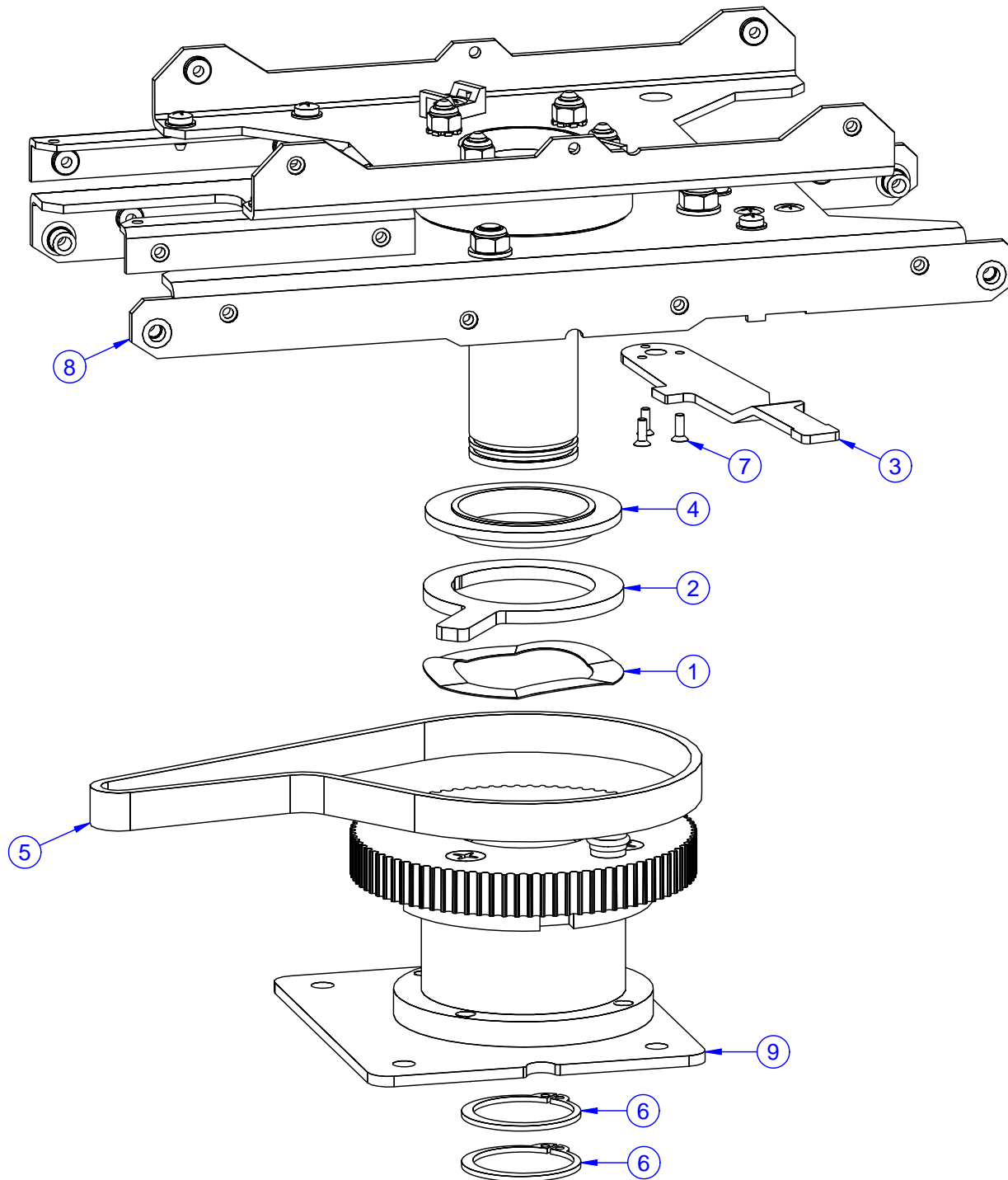


PRODUCT: Robin Pointe		
TITLE: Arm of axe "Y" - switch		
DOCUMENT: 99013860		
VERSION: 1	DATE: 07.06.2013	SHEET: 25 OF 33

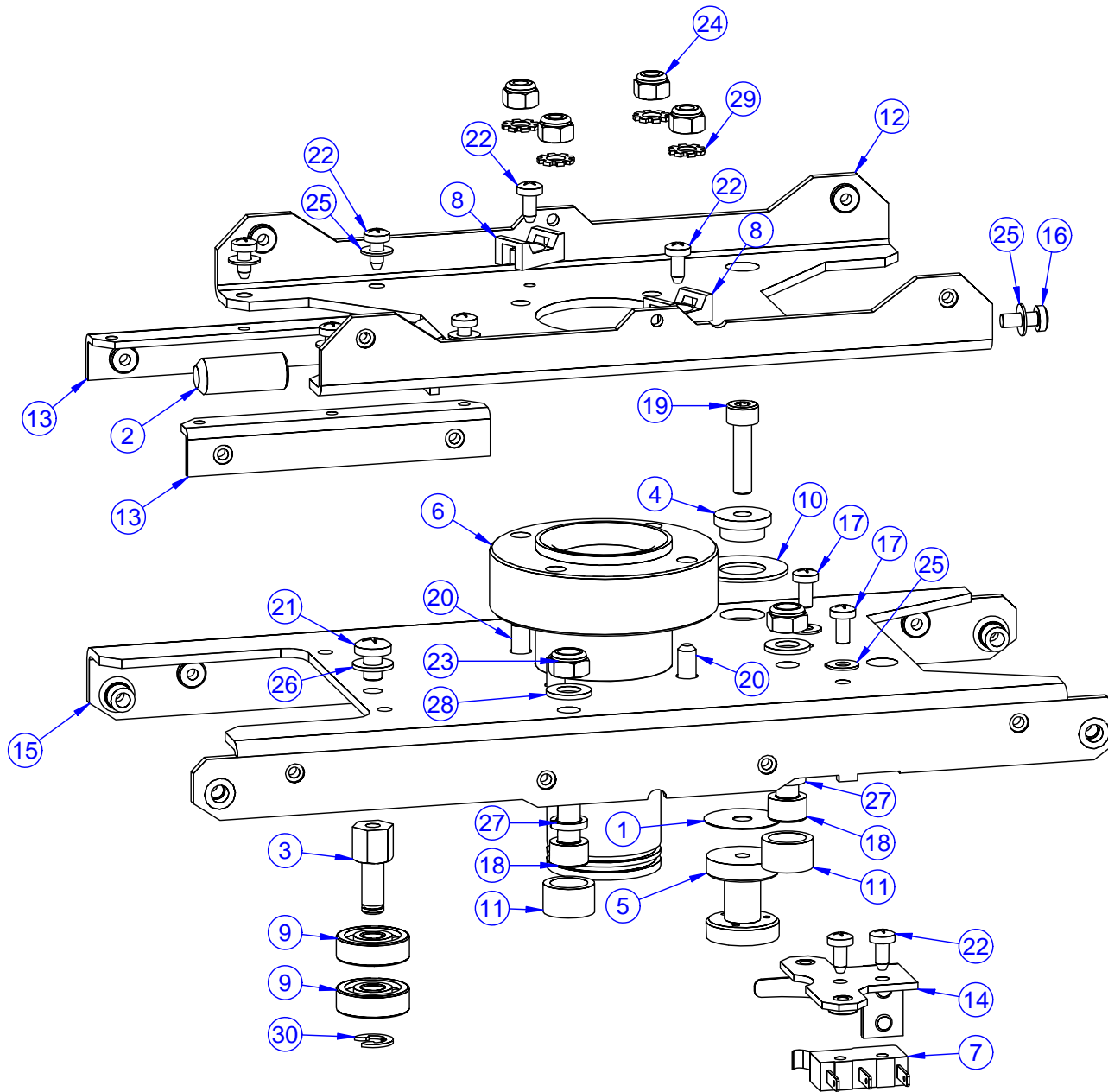




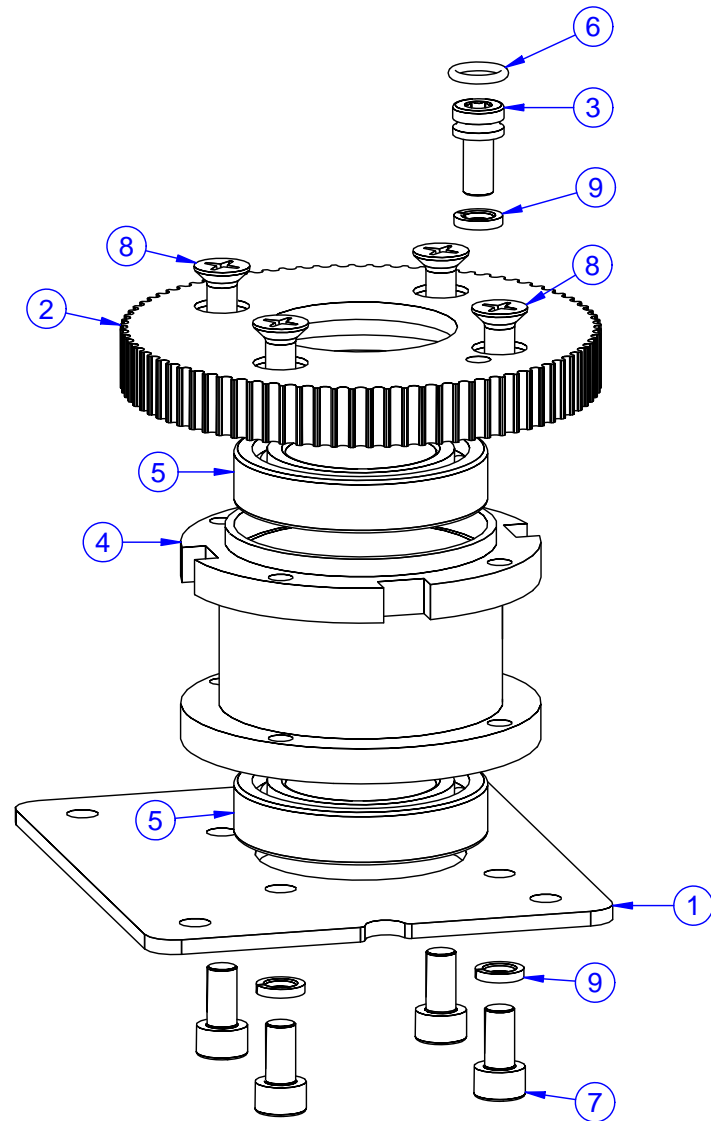
PRODUCT: Robin Pointe		
TITLE: Holder of stepper motor		
DOCUMENT: 99013853		
VERSION: 1	DATE: 07.06.2013	SHEET: 27 OF 33



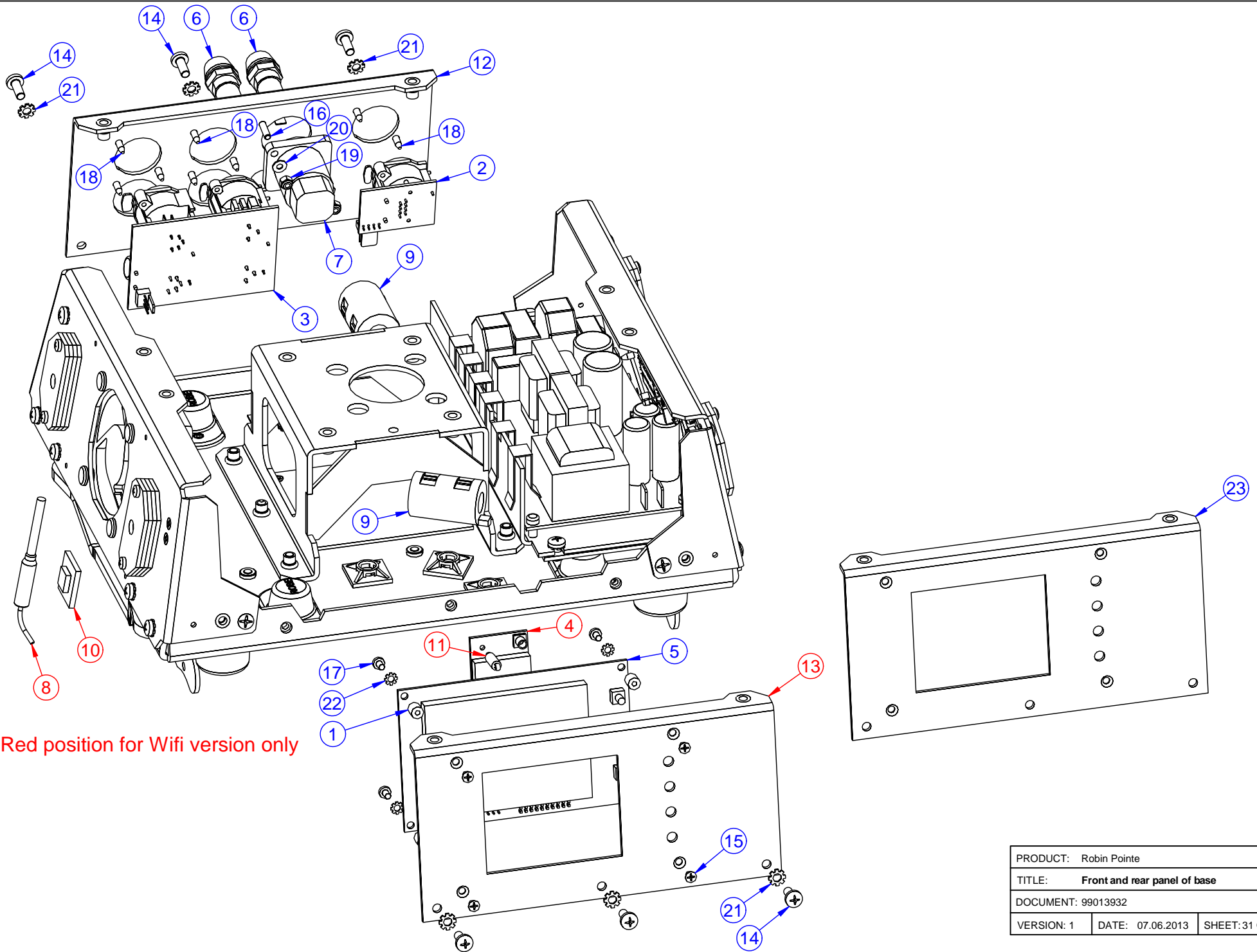
PRODUCT: Robin Pointe		
TITLE: Axe "X"		
DOCUMENT: 99013852		
VERSION: 1	DATE: 07.06.2013	SHEET: 28 OF 33



PRODUCT: Robin Pointe		
TITLE: Holder of pivot of axe "X"		
DOCUMENT: 99013852		
VERSION: 1	DATE: 07.06.2013	SHEET: 29 OF 33

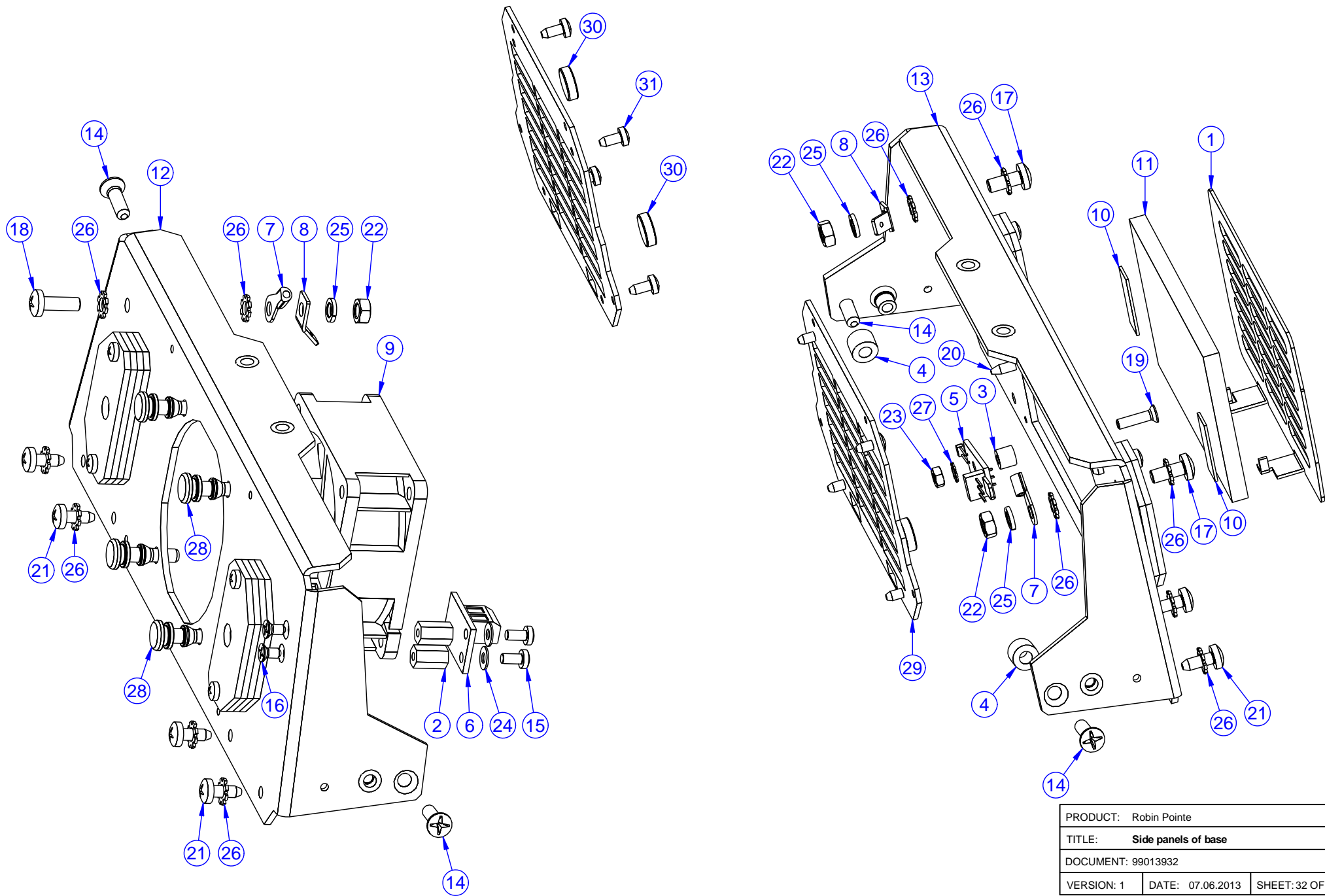


PRODUCT: Robin Pointe		
TITLE: Holder of toothwheel		
DOCUMENT: 99013852		
VERSION: 1	DATE: 07.06.2013	SHEET: 30 OF 33

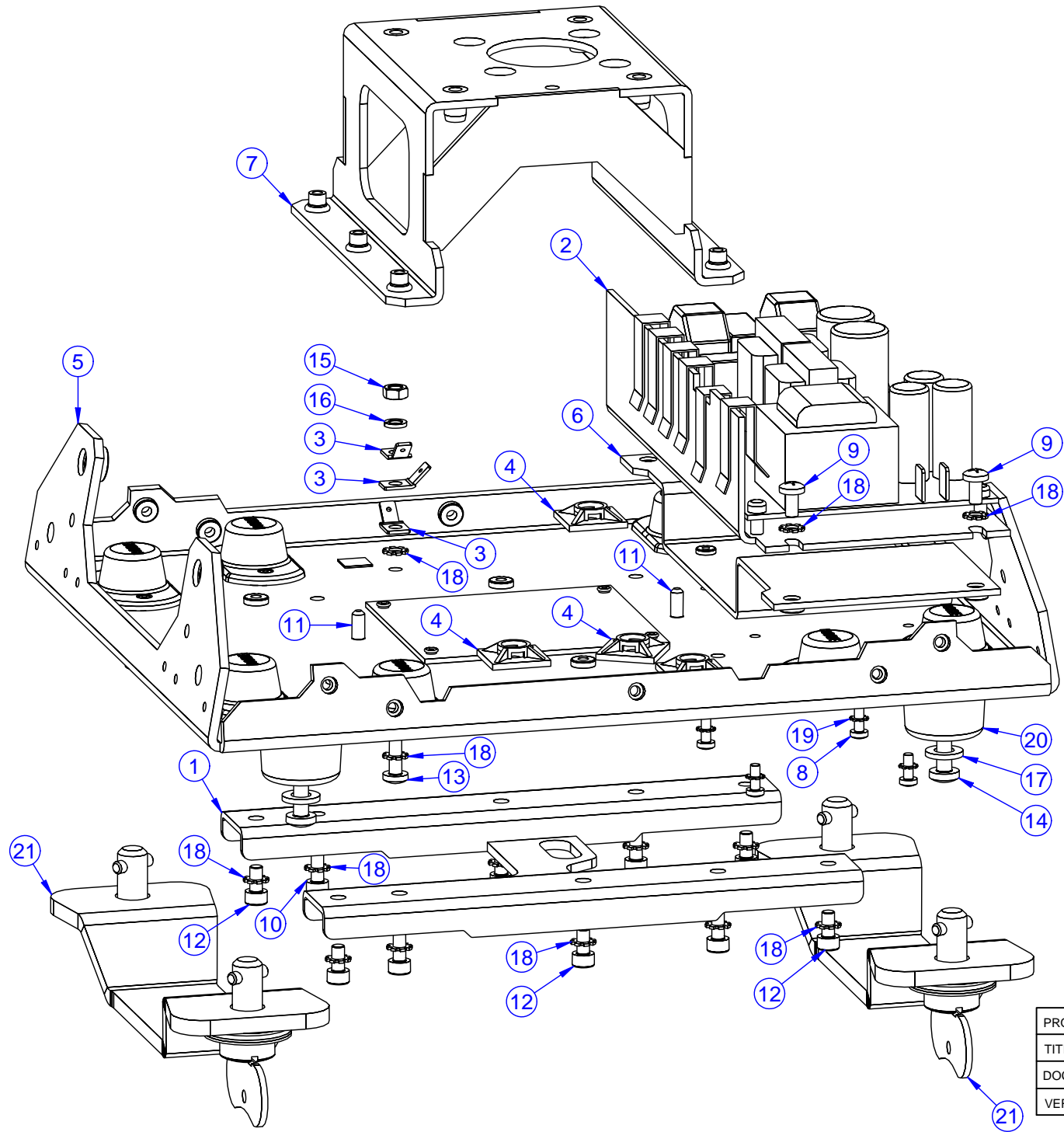


Red position for Wifi version only

PRODUCT: Robin Pointe		
TITLE: Front and rear panel of base		
DOCUMENT: 99013932		
VERSION: 1	DATE: 07.06.2013	SHEET: 31 OF 33



PRODUCT: Robin Pointe		
TITLE: Side panels of base		
DOCUMENT: 99013932		
VERSION: 1	DATE: 07.06.2013	SHEET: 32 OF 33



PRODUCT: Robin Pointe		
TITLE: Base		
DOCUMENT: 99013932		
VERSION: 1	DATE: 07.06.2013	SHEET: 33 OF 33

Rear Page Sheet 1 of 33

Page/Position	Part number	Part description	Device
1/1	18010063	Screw crosswise cup countersink M4x12	Robin Pointe
1/2	18010077	Screw socket head cap M6x30	Robin Pointe
1/3	18010118	Screw crosswise cup countersink M4x10	Robin Pointe
1/4	18020006	Screw self-tapping countersink 2,9x9,5	Robin Pointe
1/5	18050007	Washer M5 black	Robin Pointe
1/6	18060067-01	Screw 4 DZUS	Robin Pointe
1/7	18060071-01	Washer 4 DZUS	Robin Pointe
1/8	19010365	Cover of base A - grip (plastic)	Robin Pointe
1/9	19010366	Cover of base B - grip (plastic)	Robin Pointe
1/10	19010367	Cover of arm (plastic)	Robin Pointe
1/11	19020081	Grip ROBE	Robin Pointe
1/12	99013845	Cover of base - assembled	Robin Pointe
1/13	99013903	Cover of head (plastic) - assembled	Robin Pointe

Rear Page Sheet 2 of 33

Page/Position	Part number	Part description	Device
2/1	11013747	Washer d7 D12	Robin Pointe
2/2	17030761	Locking cable 0,5 x 145	Robin Pointe
2/3	18010157	Screw countersink inside hexagon M3x8 black	Robin Pointe
2/4	18040022	Nut selflock M3 silver	Robin Pointe
2/5	18060014-01	Screw 6 DZUS	Robin Pointe
2/6	18060015-01	Washer 6 DZUS	Robin Pointe
2/7	19010369	Cover of head (plastic)	Robin Pointe

Rear Page Sheet 3 of 33

Page/Position	Part number	Part description	Device
3/1	11014265	Cover of base	Robin Pointe
3/2	13051408	Spade terminal 4,8	Robin Pointe
3/3	18010159	Screw countersink inside hexagon M4x10	Robin Pointe
3/4	18050003	Washer M4 selflock - black	Robin Pointe
3/5	18050010	Washer M4 star - black	Robin Pointe
3/6	18540020	Nut selflock M4	Robin Pointe
3/7	19010364	Covering die hole of base	Robin Pointe

Rear Page Sheet 4 of 33

Page/Position	Part number	Part description	Device
4/1	11014349	Covering offtake of air	Robin Pointe
4/2	11014350	Covering offtake of air II	Robin Pointe
4/3	11014354	Shielding	Robin Pointe
4/4	11014434	Calibration of optics	Robin Pointe
4/5	13050112	Terminal end 7600-02/03	Robin Pointe
4/6	16030066	Fan KD1208 PTBX 80x80x25 12V/connector L20	Robin Pointe
4/7	18010016	Screw crosswise cup headed M3x6	Robin Pointe
4/8	18020002	Screw self-tapping 2,9x9,5	Robin Pointe
4/9	18020009	Screw self-tapping 2,9x6,5	Robin Pointe
4/10	18050001	Washer M3 black	Robin Pointe
4/11	18050011	Washer M3 star - black	Robin Pointe
4/12	19040172	Rubber H-profile back	Robin Pointe
4/13	99013902	Covering of lamp - assembled	Robin Pointe
4/14	11014347	Locking of reflector	Robin Pointe
4/15	11014348	Shielding for lamp	Robin Pointe
4/16	12020050	Spacer D6xd3,8xL7	Robin Pointe
4/17	13050112	Terminal end 7600-02/03	Robin Pointe
4/18	17040970	Covering of lamp	Robin Pointe
4/19	18010032	Screw crosswise cup countersink M3x8	Robin Pointe
4/20	18010114	Screw crosswise cup countersink M2x6	Robin Pointe
4/21	18020018	Screw self-tapping countersink 2,9x13	Robin Pointe
4/22	18040022	Nut selflock M3 silver	Robin Pointe
4/23	18050011	Washer M3 star - black	Robin Pointe
4/24	18050022	Washer M2	Robin Pointe
4/25	18060014-01	Screw 6 DZUS	Robin Pointe
4/26	18060015-01	Washer 6 DZUS	Robin Pointe
4/27	18540070	Nut selflock M2 silver	Robin Pointe

Rear Page Sheet 5 of 33

Page/Position	Part number	Part description	Device
5/1	18010008	Screw crosswise cup headed M3x8	Robin Pointe
5/2	18010033	Screw crosswise cup countersink M3x6	Robin Pointe
5/3	18010037	Screw crosswise cup headed M4x10	Robin Pointe
5/4	18050010	Washer M4 star - black	Robin Pointe
5/5	18050011	Washer M3 star - black	Robin Pointe
5/6	18050064	Washer M3 star - countersink	Robin Pointe
5/7	99013888	Module of objective - assembled	Robin Pointe

Rear Page Sheet 6 of 33

Page/Position	Part number	Part description	Device
6/1	11014352	Inclination of air "B"	Robin Pointe
6/2	13031369	PCB RB2930	Robin Pointe
6/3	13031407	PCB RB2975 Mini Molex FAN	Robin Pointe
6/4	18010033	Screw crosswise cup countersink M3x6	Robin Pointe
6/5	18010145	Screw crosswise cup headed M3x5	Robin Pointe
6/6	18050001	Washer M3 black	Robin Pointe
6/7	18050064	Washer M3 star - countersink	Robin Pointe
6/8	99013867	Lamelle "Black out" A - assembled	Robin Pointe
6/9	99013868	Lamelle "Black out" B - assembled	Robin Pointe
6/10	99013869	Frost - assembled	Robin Pointe

Rear Page Sheet 7 of 33

Page/Position	Part number	Part description	Device
7/1	14060426	Frost-glass	Robin Pointe
7/2	14070369	Dichrofilter - heat protection UV IR 30x45mm	Robin Pointe
7/3	17030014	Magnet D4/1,6mm	Robin Pointe
7/4	18010007	Screw f. adjusting hexagon socket M4x5	Robin Pointe

Rear Page Sheet 8 of 33

Page/Position	Part number	Part description	Device
8/1	11014119	Holder of wires II	Robin Pointe
8/2	11014307	Covering the air outlet	Robin Pointe
8/3	17040945	Rear frame with nuts "Dzus"	Robin Pointe
8/4	17040948	Limitation of plastic with nuts	Robin Pointe
8/5	17050433	Side supporting part "A" with nuts	Robin Pointe
8/6	17050434	Side supporting part "B" with nuts	Robin Pointe
8/7	18010008	Screw crosswise cup headed M3x8	Robin Pointe
8/8	18010033	Screw crosswise cup countersink M3x6	Robin Pointe
8/9	18010054	Screw crosswise cup headed M3x10	Robin Pointe
8/10	18050007	Washer M5 black	Robin Pointe
8/11	18050011	Washer M3 star - black	Robin Pointe
8/12	18050064	Washer M3 star - countersink	Robin Pointe
8/13	18520060	Screw self-tapping countersink 2,2x6 in plastic	Robin Pointe

Rear Page Sheet 9 of 33

Page/Position	Part number	Part description	Device
9/1	11014402	Inclination of air from the turbine B	Robin Pointe
9/2	11014403	Inclination of air to socket	Robin Pointe
9/3	12010101	Spacer D6xL7 M3	Robin Pointe
9/4	13031381	PCB CNG-4 version "J"	Robin Pointe
9/5	13050227	Thermostat 130 °C	Robin Pointe
9/6	17040952	Module - endwise "A" with nuts	Robin Pointe
9/7	17040953	Module - endwise "B" with nuts	Robin Pointe
9/8	18010016	Screw crosswise cup headed M3x6	Robin Pointe
9/9	18010076	Screw crosswise cup countersink M3x5	Robin Pointe
9/10	18020009	Screw self-tapping 2,9x6,5	Robin Pointe
9/11	18020011	Screw self-tapping 2,2x4,5	Robin Pointe
9/12	18020063	Screw self-tapping countersink 2,9x6,5	Robin Pointe
9/13	18050022	Washer M2	Robin Pointe
9/14	18510254	Screw crosswise cup headed M3x4	Robin Pointe
9/15	99030135	Holder of reflector (X,Y axes) - assembled	Robin Pointe

Rear Page Sheet 10 of 33

Page/Position	Part number	Part description	Device
10/1	11014313-01	Centre of lamp	Robin Pointe
10/2	11014314	Locking of reflector	Robin Pointe
10/3	11014401	Inclination of air from the turbine A	Robin Pointe
10/4	11014433	Washer - locking	Robin Pointe
10/5	12010095	Spacer D6xL22 2xM3	Robin Pointe
10/6	12010169	Spacer D6xL14 M3	Robin Pointe
10/7	12010183	Spacer D6xL5 M3	Robin Pointe
10/8	13031367	PCB RB2920-S Mini Single Magnetic Sensor	Robin Pointe
10/9	16010047	Stepper motor 17PM-K011-27V (1Axis-short 10)	Robin Pointe
10/10	16010049	Stepper motor 17HS0032BM (1Axis-short 10)	Robin Pointe
10/11	16030062	Fan GB1205PHVX-8AY 50x50x15 12V/connector L26	Robin Pointe
10/12	17030004	Rubber d5 L5	Robin Pointe
10/13	17030768	Spring compressive d0,8xD5xL15	Robin Pointe
10/14	17040950	Main module with nuts "Dzus"	Robin Pointe
10/15	17040951-01	Holder of lamp with nuts	Robin Pointe
10/16	18010016	Screw crosswise cup headed M3x6	Robin Pointe
10/17	18010032	Screw crosswise cup countersink M3x8	Robin Pointe
10/18	18010033	Screw crosswise cup countersink M3x6	Robin Pointe
10/19	18010038	Screw crosswise cup headed M3x18	Robin Pointe
10/20	18010075	Screw crosswise cup countersink M3x20	Robin Pointe
10/21	18020011	Screw self-tapping 2,2x4,5	Robin Pointe

Rear Page Sheet 11 of 33

Page/Position	Part number	Part description	Device
11/1	11014291	Washer of PCB	Robin Pointe
11/2	11014332	Holder of PCB	Robin Pointe
11/3	11014404	Shielding of stepper motors	Robin Pointe
11/4	12010095	Spacer D6xL22 2xM3	Robin Pointe
11/5	12010237	Spacer D6xL31 2xM3	Robin Pointe
11/6	12040087	Toothwheel RPP3-03 D16,3 II	Robin Pointe
11/7	13031358	PCB RB2880-L Mini Double Optical Sensor	Robin Pointe
11/8	13031367	PCB RB2920-S Mini Single Magnetic Sensor	Robin Pointe
11/9	16010029	Stepper motor 17PM-KO11-26V (1Axis)	Robin Pointe
11/10	17020043	Belt 225 RPP3/03	Robin Pointe
11/11	18010007	Screw f. adjusting hexagon socket M4x5	Robin Pointe
11/12	18010016	Screw crosswise cup headed M3x6	Robin Pointe
11/13	18010032	Screw crosswise cup countersink M3x8	Robin Pointe
11/14	18010145	Screw crosswise cup headed M3x5	Robin Pointe
11/15	18050001	Washer M3 black	Robin Pointe
11/16	18060183	Lock ring No.:8	Robin Pointe
11/17	18520038	Screw self-tapping 2,5x6 in plastic	Robin Pointe
11/18	99013881	Wheel Gobo FG 14+1 assembled	Robin Pointe
11/19	99013882	Wheel Color 13+1 assembled	Robin Pointe

Rear Page Sheet 12 of 33

Page/Position	Part number	Part description	Device
12/1	12040116	Toothwheel - HTD 3M z36	Robin Pointe
12/2	14070356	Dichro trapezoid LW 640 "dark red"	Robin Pointe
12/3	14070357	Dichro trapezoid SW 490 "dark blue"	Robin Pointe
12/4	14070358	Dichro trapezoid LW 520 "yellow"	Robin Pointe
12/5	14070359	Dichro trapezoid WB 5055 "green"	Robin Pointe
12/6	14070360	Dichro trapezoid SL 4763 "magenta"	Robin Pointe
12/7	14070361	Dichro trapezoid LW 610 "red"	Robin Pointe
12/8	14070362	Dichro trapezoid WB 4853 "sea green"	Robin Pointe
12/9	14070363	Dichro trapezoid LW 550 "amber"	Robin Pointe
12/10	14070364	Dichro trapezoid SW 510 "blue"	Robin Pointe
12/11	14070365	Dichro trapezoid LW 580 "orange"	Robin Pointe
12/12	14070366	Dichro trapezoid TC32LT "convers"	Robin Pointe
12/13	14070367	Dichro trapezoid SW 460 "UV"	Robin Pointe
12/14	14070368	Dichro trapezoid SW 570 "cyan"	Robin Pointe
12/15	17010011	Ball bearing 608 2ZR C2-ZKL	Robin Pointe
12/16	18010007	Screw f. adjusting hexagon socket M4x5	Robin Pointe
12/17	18510057	Screw crosswise cup headed M2x6	Robin Pointe
12/18	99030131	Wheel Color 13+1 with magnet	Robin Pointe
12/19	17030014	Magnet D4/1,6mm	Robin Pointe

Rear Page Sheet 13 of 33

Page/Position	Part number	Part description	Device
13/1	11014400	Washer of PCB	Robin Pointe
13/2	12020018	Spacer D6xd3,8xL4	Robin Pointe
13/3	12040113	Toothwheel D30 z=28 m1	Robin Pointe
13/4	12050769	Circle of free hole 22	Robin Pointe
13/5	12050771	Spacer ball bearing 608 L13,8	Robin Pointe
13/6	13020063	Driver Osram PT SIRIUS 280W	Robin Pointe
13/7	13031367	PCB RB2920-S Mini Single Magnetic Sensor	Robin Pointe
13/8	13031388	PCB RB2852 Robin Pointe G	Robin Pointe
13/9	13051408	Spade terminal 4,8	Robin Pointe
13/10	13051904	Foil electro-insulating - driver	Robin Pointe
13/11	16010029	Steppermotor 17PM-KO11-26V (1Axis)	Robin Pointe
13/12	16010045	Steppermotor 14HY7003-01 (1Axis-short 7)	Robin Pointe
13/13	16030065	Fan KDE1204 PFV1,11 MS,AF,40x40/connector L18	Robin Pointe
13/14	17040962	Holder of electronic with nuts	Robin Pointe
13/15	17050436	Module of RG with nuts	Robin Pointe
13/16	18010007	Screw f. adjusting hexagon socket M4x5	Robin Pointe
13/17	18010008	Screw crosswise cup headed M3x8	Robin Pointe
13/18	18010016	Screw crosswise cup headed M3x6	Robin Pointe
13/19	18010033	Screw crosswise cup countersink M3x6	Robin Pointe
13/20	18010037	Screw crosswise cup headed M4x10	Robin Pointe
13/21	18010054	Screw crosswise cup headed M3x10	Robin Pointe
13/22	18010145	Screw crosswise cup headed M3x5	Robin Pointe
13/23	18020037	Screw self-tapping 2,9x13	Robin Pointe
13/24	18040001	Nut M4 black	Robin Pointe
13/25	18050001	Washer M3 black	Robin Pointe
13/26	18050003	Washer M4 selflock - black	Robin Pointe
13/27	18050010	Washer M4 star - black	Robin Pointe
13/28	18050011	Washer M3 star - black	Robin Pointe
13/29	99012498	Toothwheel RG with ball bearing - assembled	Robin Pointe
13/30	99013880	Wheel RG 9+1 assembled	Robin Pointe

Rear Page Sheet 14 of 33

Page/Position	Part number	Part description	Device
14/1	99013871	Slot&Lock gobo 15,8-Triangles 3	Robin Pointe
14/2	99013872	Slot&Lock gobo 15,8-Vectors	Robin Pointe
14/3	99013873	Slot&Lock gobo 15,8-Rotor	Robin Pointe
14/4	99013874	Slot&Lock gobo 15,8-Wheel 12	Robin Pointe
14/5	99013875	Slot&Lock gobo 15,8-Squares	Robin Pointe
14/6	99013876	Slot&Lock gobo 15,8-Dot Breakup	Robin Pointe
14/7	99013877	Slot&Lock gobo 15,8-Radial Elipses	Robin Pointe
14/8	99013878	Slot&Lock gobo 15,8-Bubles	Robin Pointe
14/9	99013879	Slot&Lock gobo 15,8 with magnet-Symmetric 6	Robin Pointe
14/10	99030132	Wheel RG 9+1 with magnet/screws/circle	Robin Pointe
14/11	11014333	Lamelle RG 16	Robin Pointe
14/12	11020183	Yoke of rotating gobo 16	Robin Pointe
14/13	11020184	Yoke of rotating gobo 16 with hole for magnet	Robin Pointe
14/14	12050773	Circle of free hole d13	Robin Pointe
14/15	15020276	Gobo dichroic 15,8-Triangles 3	Robin Pointe
14/16	15020277	Gobo dichroic 15,8-Vectors	Robin Pointe
14/17	15020278	Gobo dichroic 15,8-Rotor	Robin Pointe
14/18	15020279	Gobo dichroic 15,8-Wheel 12	Robin Pointe
14/19	15020280	Gobo dichroic 15,8-Squares	Robin Pointe
14/20	15020281	Gobo dichroic 15,8-Dot Breakup	Robin Pointe
14/21	15020282	Gobo dichroic 15,8-Radial Elipses	Robin Pointe
14/22	15020283	Gobo dichroic 15,8-Bubles	Robin Pointe
14/23	15020284	Gobo dichroic 15,8-Symmetric 6	Robin Pointe
14/24	17030015	Magnet D4/2,4mm	Robin Pointe
14/25	17030022	Spring gobo-lock RG16	Robin Pointe
14/26	17030653	Magnet D4/1,2mm	Robin Pointe
14/27	18010007	Screw f. adjusting hexagon socket M4x5	Robin Pointe
14/28	99030133	Slot&Lock without gobo 16mm with magnet	Robin Pointe
14/29	99030134	Slot&Lock without gobo 16mm	Robin Pointe

Rear Page Sheet 15 of 33

Page/Position	Part number	Part description	Device
15/1	18010008	Screw crosswise cup headed M3x8	Robin Pointe
15/2	18050001	Washer M3 black	Robin Pointe
15/3	18050006	Washer M5 selflock - black	Robin Pointe
15/4	18060119	Screw crosswise cup headed M5x16 with locking	Robin Pointe

Rear Page Sheet 16 of 33

Page/Position	Part number	Part description	Device
16/1	12010043	Spacer D6xL18 M3	Robin Pointe
16/2	12010233	Spacer D6xL16 M3	Robin Pointe
16/3	13031368	PCB RB2925 Mini Double Magnetic Sensor	Robin Pointe
16/4	13031389	PCB RB2891 Robin Pointe P	Robin Pointe
16/5	16010023	Steppermotor 14HY7003-01 (1Axis-short 14)	Robin Pointe
16/6	17030004	Rubber d5 L5	Robin Pointe
16/7	17030687	Spring tension d0,32xD4,5xL22	Robin Pointe
16/8	18010008	Screw crosswise cup headed M3x8	Robin Pointe
16/9	18010016	Screw crosswise cup headed M3x6	Robin Pointe
16/10	18010031	Screw crosswise cup headed M3x16	Robin Pointe
16/11	18010033	Screw crosswise cup countersink M3x6	Robin Pointe
16/12	18010145	Screw crosswise cup headed M3x5	Robin Pointe
16/13	18050001	Washer M3 black	Robin Pointe
16/14	18050011	Washer M3 star - black	Robin Pointe
16/15	99013889	Frost - assembled	Robin Pointe
16/16	14060427	Frost-glass 53x72,5 mm	Robin Pointe
16/17	17040967	Lamelle "Frost" with flange	Robin Pointe
16/18	18010007	Screw f. adjusting hexagon socket M4x5	Robin Pointe
16/19	18010117	Screw crosswise cup countersink M3x12	Robin Pointe
16/20	18040022	Nut selflock M3 silver	Robin Pointe

Rear Page Sheet 17 of 33

Page/Position	Part number	Part description	Device
17/1	12010234	Spacer D6xL38,5 2xM3	Robin Pointe
17/2	12040088	Toothwheel RPP3-03 D11 type II	Robin Pointe
17/3	12050781	Spacer RP	Robin Pointe
17/4	12050783	Wheel-belt D28,6	Robin Pointe
17/5	16010022	Steppermotor 14HY7003-01 (1Axis-short)	Robin Pointe
17/6	16010047	Steppermotor 17PM-K011-27V (1Axis-short 10)	Robin Pointe
17/7	17020025	Belt d3 D74 FPM 75	Robin Pointe
17/8	17020044	Belt 201 RPP3/03	Robin Pointe
17/9	17030094	Rubber d5 L8	Robin Pointe
17/10	17040966	Module of prism and Frost with nuts	Robin Pointe
17/11	18010007	Screw f. adjusting hexagon socket M4x5	Robin Pointe
17/12	18010008	Screw crosswise cup headed M3x8	Robin Pointe
17/13	18010016	Screw crosswise cup headed M3x6	Robin Pointe
17/14	18050001	Washer M3 black	Robin Pointe
17/15	18050011	Washer M3 star - black	Robin Pointe
17/16	18060183	Lock ring No.:8	Robin Pointe
17/17	99013896	Prism I - assembled	Robin Pointe
17/18	11020186	Yoke Prism without Prism lens	Robin Pointe
17/19	12040116	Toothwheel -HTD 3M z=36	Robin Pointe
17/20	12050782	Holder of magnet "F"	Robin Pointe
17/21	14050017	Prism lens D47/8F 12°	Robin Pointe
17/22	17010011	Ball bearing 608 2ZR C2-ZKL	Robin Pointe
17/23	17030015	Magnet D4/2,4mm	Robin Pointe
17/24	18010006	Screw crosswise cup countersink M2x4	Robin Pointe
17/25	18010057	Screw crosswise cup headed M2x6	Robin Pointe

Rear Page Sheet 18 of 33

Page/Position	Part number	Part description	Device
18/1	12010235	Spacer D8xL10,5 M3	Robin Pointe
18/2	12040088	Toothwheel RPP3-03 D11 type II	Robin Pointe
18/3	12050783	Wheel-belt D28,6	Robin Pointe
18/4	13031368	PCB RB2925-L Mini Double Magnetic Sensor	Robin Pointe
18/5	16010023	Steppermotor 14HY7003-01 (1Axis-short 14)	Robin Pointe
18/6	16010030	Steppermotor 17PM-K011-27V (1Axis-short 14)	Robin Pointe
18/7	17020025	Belt d3 D74 FPM 75	Robin Pointe
18/8	17020044	Belt 201 RPP3/03	Robin Pointe
18/9	17040969	Module of prism with nuts "Dzus"	Robin Pointe
18/10	18010007	Screw f. adjusting hexagon socket M4x5	Robin Pointe
18/11	18010008	Screw crosswise cup headed M3x8	Robin Pointe
18/12	18010016	Screw crosswise cup headed M3x6	Robin Pointe
18/13	18010033	Screw crosswise cup countersink M3x6	Robin Pointe
18/14	18010076	Screw crosswise cup countersink M3x5	Robin Pointe
18/15	18050001	Washer M3 black	Robin Pointe
18/16	18060183	Lock ring No.:8	Robin Pointe
18/17	99013898	Prism II - assembled	Robin Pointe
18/18	11020186	Yoke Prism without Prism lens	Robin Pointe
18/19	12040116	Toothwheel -HTD 3M z=36	Robin Pointe
18/20	12050782	Holder of magnet "F"	Robin Pointe
18/21	14050018-01	Prism lens D47/6F 12°	Robin Pointe
18/22	17010011	Ball bearing 608 2ZR C2-ZKL	Robin Pointe
18/23	17030015	Magnet D4/2,4mm	Robin Pointe
18/24	18010006	Screw crosswise cup countersink M2x4	Robin Pointe
18/25	18010057	Screw crosswise cup headed M2x6	Robin Pointe

Rear Page Sheet 19 of 33

Page/Position	Part number	Part description	Device
19/1	12050774	Interposer bar L187	Robin Pointe
19/2	13031390	PCB RB2891 Robin Pointe O	Robin Pointe
19/3	17030094	Rubber d5 L8	Robin Pointe
19/4	17030578	O ring 6x1,5	Robin Pointe
19/5	18010032	Screw crosswise cup countersink M3x8	Robin Pointe
19/6	18010087	Screw socket head cap M3x8	Robin Pointe
19/7	18010145	Screw crosswise cup headed M3x5	Robin Pointe
19/8	18050006	Washer M5 selflock - black	Robin Pointe
19/9	18050009	Washer M3 selflock - black	Robin Pointe
19/10	18060119	Screw crosswise cup headed M5x16 with locking	Robin Pointe
19/11	99013892	Focus element - assembled	Robin Pointe
19/12	99013894	Zoom element - assembled	Robin Pointe

Rear Page Sheet 20 of 33

Page/Position	Part number	Part description	Device
20/1	12040088	Toothwheel RPP3-03 D11 type II	Robin Pointe
20/2	12050356	Pivot L12,5	Robin Pointe
20/3	12050404	Roller d10 D18 L5,5	Robin Pointe
20/4	13031367	PCB RB2920-S Mini Single Magnetic Sensor	Robin Pointe
20/5	16010029	Steppermotor 17PM-KO11-26V (1Axis)	Robin Pointe
20/6	16010033	Steppermotor 17HC2001-01N -A	Robin Pointe
20/7	17010014	Ball bearing 623 2ZR-CMB	Robin Pointe
20/8	17020006	Belt 318 RPP3/03	Robin Pointe
20/9	17020044	Belt 201 RPP3/03	Robin Pointe
20/10	17040965	Holder of optic with nuts	Robin Pointe
20/11	18010007	Screw f. adjusting hexagon socket M4x5	Robin Pointe
20/12	18010008	Screw crosswise cup headed M3x8	Robin Pointe
20/13	18010016	Screw crosswise cup headed M3x6	Robin Pointe
20/14	18010032	Screw crosswise cup countersink M3x8	Robin Pointe
20/15	18010033	Screw crosswise cup countersink M3x6	Robin Pointe
20/16	18040022	Nut selflock M3 silver	Robin Pointe
20/17	18050002	Washer M4 black	Robin Pointe
20/18	18050011	Washer M3 star - black	Robin Pointe
20/19	18540020	Nut selflock M4	Robin Pointe

Rear Page Sheet 21 of 33

Page/Position	Part number	Part description	Device
21/1	11014336	Holder of Focus	Robin Pointe
21/2	11014337	Grounding of belt	Robin Pointe
21/3	11014338	Holder of Zoom	Robin Pointe
21/4	18010016	Screw crosswise cup headed M3x6	Robin Pointe
21/5	18520061	Screw self-tapping countersink 2,2x8 in plastic	Robin Pointe
21/6	18520064	Screw self-tapping 2,2x10 F in plastic	Robin Pointe
21/7	99013891	Focus tube - assembled	Robin Pointe
21/8	99013893	Zoom tube - assembled	Robin Pointe
21/9	99030124	Spacer of optic with magnet	Robin Pointe
21/10	11014419	Ring Focus	Robin Pointe
21/11	12050775	Holder of Focus lenses D56	Robin Pointe
21/12	12050777	Ring D56 d53,4 L8,8	Robin Pointe
21/13	12050778	Ring D56 d53,4 L6,7	Robin Pointe
21/14	12050779	Ring for resource of lens	Robin Pointe
21/15	12050780	Holder of Zoom lenses D64	Robin Pointe
21/16	14040123	Lens D64 R -86,6 R -44,2 Antireflex	Robin Pointe
21/17	14040124	Lens D64 R44,2 R -79,2 Antireflex	Robin Pointe
21/18	14040125	Lens D56 R139,1 R62,2 Antireflex	Robin Pointe
21/19	14040126	Lens D56 R -62,2 R99,5 Antireflex	Robin Pointe
21/20	14040127	Lens D56 R82,4 R65,7 Antireflex	Robin Pointe
21/21	14040128	Lens D56 R -65,7 R1049,9 Antireflex	Robin Pointe
21/22	14040129	Lens D56 R63,4 R0 Antireflex	Robin Pointe
21/23	17030757	Ring for resource of lens D64	Robin Pointe
21/24	17030015	Magnet D4/2,4mm	Robin Pointe

Rear Page Sheet 22 of 33

Page/Position	Part number	Part description	Device
22/1	11014322	Shielding of fans A	Robin Pointe
22/2	12020063	Spacer D6xd3,8xL20	Robin Pointe
22/3	12020150	Spacer D6xd3,8xL7	Robin Pointe
22/4	16030064	Fan KD1206 PHB1 (2).F.GN 60x60x15/connector L16	Robin Pointe
22/5	17030333	Dry zip Velcro 8,5x66	Robin Pointe
22/6	17030759	Air filter 70x70 with dry zip Velcro 8,5x66	Robin Pointe
22/7	17040957	Brace without rubber H-profile with nuts	Robin Pointe
22/8	17040958	Holder of rubber H-profile with nuts	Robin Pointe
22/9	17040971	Shielding of fans B	Robin Pointe
22/10	18010033	Screw crosswise cup countersink M3x6	Robin Pointe
22/11	18010036	Screw crosswise cup headed M3x28	Robin Pointe
22/12	18010280	Screw crosswise cup headed M3x40	Robin Pointe
22/13	18050011	Washer M3 star - black	Robin Pointe

Rear Page Sheet 23 of 33

Page/Position	Part number	Part description	Device
23/1	11014329	Locking of optics	Robin Pointe
23/2	13031407	PCB RB2975 Mini Molex FAN	Robin Pointe
23/3	14040121	Lens D114 R106,1 R225,7 Antireflex	Robin Pointe
23/4	14040122	Lens D114 R-225,7 R0 Antireflex	Robin Pointe
23/5	17050435	Gripping of objective with nuts	Robin Pointe
23/6	18010145	Screw crosswise cup headed M3x5	Robin Pointe
23/7	18520062	Screw self-tapping 2,5x8 in plastic	Robin Pointe
23/8	18520066	Screw self-tapping 3,5x12 in plastic	Robin Pointe
23/9	19020102-01	Holder of objective D114	Robin Pointe

Rear Page Sheet 24 of 33

Page/Position	Part number	Part description	Device
24/1	17030509	Girdle of locking lever - lock	Robin Pointe
24/2	17040929	Stiffener of arm - adjusting	Robin Pointe
24/3	17040930	Stiffener of arm	Robin Pointe
24/4	18010032	Screw crosswise cup countersink M3x8	Robin Pointe
24/5	18010033	Screw crosswise cup countersink M3x6	Robin Pointe
24/6	18010098	Screw socket head cap M5x16	Robin Pointe
24/7	18050014	Washer M5 star - black	Robin Pointe

Rear Page Sheet 25 of 33

Page/Position	Part number	Part description	Device
25/1	11014289	Holder of PCB II	Robin Pointe
25/2	11014290	Key for axe "Y"	Robin Pointe
25/3	11014291	Washer of PCB	Robin Pointe
25/4	11014292	Gripping of wires II	Robin Pointe
25/5	12010079	Spacer D6xL20 M3	Robin Pointe
25/6	12050593	Nut of stopper SW7 M4	Robin Pointe
25/7	12050768	Ring for locking	Robin Pointe
25/8	13031358	PCB RB2880-L Mini Double Optical Sensor	Robin Pointe
25/9	13031387	PCB RB2911 Robin Pointe M	Robin Pointe
25/10	13051408	Spade terminal 4,8	Robin Pointe
25/11	17050432	Holder of axe "Y" (switch) with nuts	Robin Pointe
25/12	18010032	Screw crosswise cup countersink M3x8	Robin Pointe
25/13	18010033	Screw crosswise cup countersink M3x6	Robin Pointe
25/14	18010037	Screw crosswise cup headed M4x10	Robin Pointe
25/15	18010086	Screw crosswise cup countersink M3x10	Robin Pointe
25/16	18010118	Screw crosswise cup countersink M4x10	Robin Pointe
25/17	18010120	Screw crosswise cup countersink M4x16	Robin Pointe
25/18	18010145	Screw crosswise cup headed M3x5	Robin Pointe
25/19	18010215	Screw socket head cap M4x35	Robin Pointe
25/20	18040001	Nut M4 black	Robin Pointe
25/21	18040020	Nut selflock M4 silver	Robin Pointe
25/22	18040022	Nut selflock M3 silver	Robin Pointe
25/23	18050001	Washer M3 black	Robin Pointe
25/24	18050002	Washer M4 black	Robin Pointe
25/25	18050003	Washer M4 selflock - black	Robin Pointe
25/26	18050010	Washer M4 star - black	Robin Pointe
25/27	18520038	Screw self-tapping 2,5x6 in plastic	Robin Pointe
25/28	99013854	Holder ball-bearing axe "Y" - assembled	Robin Pointe

Rear Page Sheet 26 of 33

Page/Position	Part number	Part description	Device
26/1	11013842	Toothwheel D40 d14	Robin Pointe
26/2	11014286	Holder of PCB	Robin Pointe
26/3	11014287	Gripping of wires I	Robin Pointe
26/4	12010079	Spacer D6xL20 M3	Robin Pointe
26/5	12040111	Toothwheel HTD 3M z12 L10	Robin Pointe
26/6	12050759	Spacer ring d4	Robin Pointe
26/7	12050766	Spacer D6xL10 M3	Robin Pointe
26/8	13031358	PCB RB2880-L Mini Double Optical Sensor	Robin Pointe
26/9	13051408	Spade terminal 4,8	Robin Pointe
26/10	16010046	Steppermotor 24HC2016-01 (1Axis)	Robin Pointe
26/11	17020042	Belt 564 RPP3/09	Robin Pointe
26/12	17030509	Girdle of locking lever - lock	Robin Pointe
26/13	17030665	Spring tension d1,25xD10xL27	Robin Pointe
26/14	17030689	Spring washer - plated 20	Robin Pointe
26/15	17040936	Locking lever of axe "Y"	Robin Pointe
26/16	17050431	Holder of axe "Y" (locking) with nuts	Robin Pointe
26/17	18010003	Screw crosswise cup headed M2x3	Robin Pointe
26/18	18010007	Screw f. adjusting hexagon socket M4x5	Robin Pointe
26/19	18010010	Screw crosswise cup countersink M4x14	Robin Pointe
26/20	18010016	Screw crosswise cup headed M3x6	Robin Pointe
26/21	18010032	Screw crosswise cup countersink M3x8	Robin Pointe
26/22	18010033	Screw crosswise cup countersink M3x6	Robin Pointe
26/23	18010037	Screw crosswise cup headed M4x10	Robin Pointe
26/24	18010045	Screw crosswise cup countersink M4x35	Robin Pointe
26/25	18010051	Screw socket head cap M4x14	Robin Pointe
26/26	18010117	Screw crosswise cup countersink M3x12	Robin Pointe
26/27	18010118	Screw crosswise cup countersink M4x10	Robin Pointe
26/28	18040001	Nut M4 black	Robin Pointe
26/29	18040020	Nut selflock M4 silver	Robin Pointe
26/30	18050001	Washer M3 black	Robin Pointe
26/31	18050002	Washer M4 black	Robin Pointe
26/32	18050003	Washer M4 selflock - black	Robin Pointe
26/33	18050010	Washer M4 star - black	Robin Pointe
26/34	18520038	Screw self-tapping 2,5x6 in plastic	Robin Pointe
26/35	99013854	Holder ball-bearing axe "Y" - assembled	Robin Pointe
26/36	99013855	Toothwheel with counterpart for locking lever	Robin Pointe
26/37	99013856	Belt tensioning - assembled	Robin Pointe
26/38	11014284	Counterpart for locking lever of axe Y	Robin Pointe
26/39	12040112	Toothwheel HTD 3M z84	Robin Pointe
26/40	11014285	Holder of tensioning	Robin Pointe
26/41	12050767	Pivot of ball bearing II	Robin Pointe
26/42	17010015	Ball bearing 625 ZR-CMB SRI-2	Robin Pointe
26/43	18060020	Lock ring 4	Robin Pointe

Rear Page Sheet 27 of 33

Page/Position	Part number	Part description	Device
27/1	11013842	Toothwheel D40 d14	Robin Pointe
27/2	11014281	Holder of PCB	Robin Pointe
27/3	12040111	Toothwheel HTD 3M z12 L10	Robin Pointe
27/4	13031358	PCB RB2880-L Mini Double Optical Sensor	Robin Pointe
27/5	16010046	Steppermotor 24HC2016-01 (1Axis)	Robin Pointe
27/6	17040931	Holder of steppermotor "X" with nuts	Robin Pointe
27/7	18010003	Screw crosswise cup headed M2x3	Robin Pointe
27/8	18010005	Screw socket head cap M4x12	Robin Pointe
27/9	18010007	Screw f. adjusting hexagon socket M4x5	Robin Pointe
27/10	18010016	Screw crosswise cup headed M3x6	Robin Pointe
27/11	18050001	Washer M3 black	Robin Pointe
27/12	18050003	Washer M4 selflock - black	Robin Pointe
27/13	18520038	Screw self-tapping 2,5x6 in plastic	Robin Pointe

Rear Page Sheet 28 of 33

Page/Position	Part number	Part description	Device
28/1	11010490	Spring ring D46 d32 TI 0,32	Robin Pointe
28/2	11014273	Movement-stop "X"	Robin Pointe
28/3	11014275	Locking lever of axe X	Robin Pointe
28/4	12050563-01	Ring-plastic	Robin Pointe
28/5	17020041	Belt 357 RPP3/09	Robin Pointe
28/6	17030005	Lock ring No.:25	Robin Pointe
28/7	18010114	Screw crosswise cup countersink M2x6	Robin Pointe
28/8	99013849	Holder of shaft axe "X" - assembled	Robin Pointe
28/9	99013851	Holder of toothwheel - assembled	Robin Pointe

Rear Page Sheet 29 of 33

Page/Position	Part number	Part description	Device
29/1	11014270	Washer for holder of locking lever	Robin Pointe
29/2	12010232	Spacer D8xL15 1xM3	Robin Pointe
29/3	12050758	Pivot of ball bearing I	Robin Pointe
29/4	12050759	Spacer ring d4	Robin Pointe
29/5	12050760	Holder of locking lever	Robin Pointe
29/6	12050761	Pivot "X"	Robin Pointe
29/7	13051228	Microswitch SM 05L04B-Z	Robin Pointe
29/8	13051751	Holder - plastic FTH-28RS-01	Robin Pointe
29/9	17010015	Ball bearing 625 ZR-CMB SRI-2	Robin Pointe
29/10	17030689	Spring washer - plated 20	Robin Pointe
29/11	17030756	Rubber D7 L6,5	Robin Pointe
29/12	17040927	Holder of axe "X" (upper) with nuts	Robin Pointe
29/13	17040928	Support for holder of stepper motor with nuts	Robin Pointe
29/14	17040933	Holder of switch with hold-down	Robin Pointe
29/15	17050430	Holder of axe "X" (down) with nuts	Robin Pointe
29/16	18010008	Screw crosswise cup headed M3x8	Robin Pointe
29/17	18010016	Screw crosswise cup headed M3x6	Robin Pointe
29/18	18010023	Screw socket head cap M5x10	Robin Pointe
29/19	18010039	Screw socket head cap M4x16	Robin Pointe
29/20	18010040	Screw crosswise cup countersink M4x25	Robin Pointe
29/21	18010207	Screw crosswise cup headed M4x6	Robin Pointe
29/22	18020009	Screw self-tapping 2,9x6,5	Robin Pointe
29/23	18040003	Nut selflock M5	Robin Pointe
29/24	18040020	Nut selflock M4 silver	Robin Pointe
29/25	18050001	Washer M3 black	Robin Pointe
29/26	18050002	Washer M4 black	Robin Pointe
29/27	18050006	Washer M5 selflock - black	Robin Pointe
29/28	18050007	Washer M5 black	Robin Pointe
29/29	18050010	Washer M4 star - black	Robin Pointe
29/30	18060020	Lock ring 4	Robin Pointe

Rear Page Sheet 30 of 33

Page/Position	Part number	Part description	Device
30/1	11014274	Holder of axe "X" on base	Robin Pointe
30/2	12040110	Toothwheel HTD 3M z84	Robin Pointe
30/3	12050564	Screw socket head cap M5x10 (stopper)	Robin Pointe
30/4	12050762	Holder ball-bearing	Robin Pointe
30/5	17010009	Ball bearing 6905-2RS	Robin Pointe
30/6	17030578	O ring 6x1,5	Robin Pointe
30/7	18010023	Screw socket head cap M5x10	Robin Pointe
30/8	18010156	Screw crosswise cup countersink M5x16	Robin Pointe
30/9	18050006	Washer M5 selflock - black	Robin Pointe

Rear Page Sheet 31 of 33

Page/Position	Part number	Part description	Device
31/1	12010160	Spacer D6xL6,5 M3	Robin Pointe
31/2	13030152-01	PCB RB1052	Robin Pointe
31/3	13030677-01	PCB Connectors EZ1071 R-V2	Robin Pointe
31/4	13030894	CRMX Wireless Receiver	Robin Pointe
31/5	13031391	PCB Display QVGA Robin Pointe DS	Robin Pointe
31/6	13050103	Fuse socket - FGP1	Robin Pointe
31/7	13050686	Connector NEUTRIK NAC3MPA-1	Robin Pointe
31/8	13051616	Antenna 1 dBi, MCX 260mm	Robin Pointe
31/9	13051799	Toroid ferrite RRC 17-11-28-M-K5B	Robin Pointe
31/10	17030028	Cube self-adhesive F0505 HC-101	Robin Pointe
31/11	17030674	Spacer MDLSP-1-12,0-01 PA-UL94V-0 plastic	Robin Pointe
31/12	17050428	Rear panel with nuts	Robin Pointe
31/13	17050445	Front panel CRMX with nuts	Robin Pointe
31/14	18010037	Screw crosswise cup headed M4x10	Robin Pointe
31/15	18010076	Screw crosswise cup countersink M3x5	Robin Pointe
31/16	18010117	Screw crosswise cup countersink M3x12	Robin Pointe
31/17	18010145	Screw crosswise cup headed M3x5	Robin Pointe
31/18	18020006	Screw self-tapping countersink 2,9x9,5	Robin Pointe
31/19	18040022	Nut selflock M3 silver	Robin Pointe
31/20	18050001	Washer M3 black	Robin Pointe
31/21	18050010	Washer M4 star - black	Robin Pointe
31/22	18050011	Washer M3 star - black	Robin Pointe
31/23	17050429	Front panel with nuts	Robin Pointe

Rear Page Sheet 32 of 33

Page/Position	Part number	Part description	Device
32/1	11014262	Covering of air filter	Robin Pointe
32/2	12010147	Spacer hexagon SW5,5 DII L10 M3	Robin Pointe
32/3	12020006	Spacer D6xd3xL5	Robin Pointe
32/4	12020098	Spacer D8xd4xL6	Robin Pointe
32/5	13030049	PCB CNG-4 version "F"	Robin Pointe
32/6	13030782	PCB Con2E	Robin Pointe
32/7	13050171	Terminal end 7610-03/04	Robin Pointe
32/8	13051408	Spade terminal 4,8	Robin Pointe
32/9	16030036	Fan KD1206 PTBX 60x60x25 12V	Robin Pointe
32/10	17030422	Self-adhesive rubber band 20	Robin Pointe
32/11	17030754	Air filter 52x85	Robin Pointe
32/12	17050426	Side panel A with nuts	Robin Pointe
32/13	17050427	Side panel B with nuts	Robin Pointe
32/14	18010010	Screw crosswise cup countersink M4x14	Robin Pointe
32/15	18010016	Screw crosswise cup headed M3x6	Robin Pointe
32/16	18010033	Screw crosswise cup countersink M3x6	Robin Pointe
32/17	18010037	Screw crosswise cup headed M4x10	Robin Pointe
32/18	18010060	Screw crosswise cup headed M4x12	Robin Pointe
32/19	18010117	Screw crosswise cup countersink M3x12	Robin Pointe
32/20	18020006	Screw self-tapping countersink 2,9x9,5	Robin Pointe
32/21	18020017	Screw self-tapping 3,5x9,5	Robin Pointe
32/22	18040001	Nut M4 black	Robin Pointe
32/23	18040005	Nut M3 black	Robin Pointe
32/24	18050001	Washer M3 black	Robin Pointe
32/25	18050003	Washer M4 selflock - black	Robin Pointe
32/26	18050010	Washer M4 star - black	Robin Pointe
32/27	18050011	Washer M3 star - black	Robin Pointe
32/28	19040093	Antivibration gripping of fan	Robin Pointe
32/29	99013841	Holder of air filter with magnets	Robin Pointe
32/30	17030349	Magnet D10 L3	Robin Pointe
32/31	18020009	Screw self-tapping 2,9x6,5	Robin Pointe

Rear Page Sheet 33 of 33

Page/Position	Part number	Part description	Device
33/1	11030571	Stiffener of base	Robin Pointe
33/2	13020065	Power supply SMPS 48/4,5	Robin Pointe
33/3	13051408	Spade terminal 4,8	Robin Pointe
33/4	17030028	Cube self-adhesive F0505 HC-101	Robin Pointe
33/5	17040921	Base plate with nuts Camloc	Robin Pointe
33/6	17040922	Holder of power supply with nuts	Robin Pointe
33/7	17050425	Grounding of axe X with nuts	Robin Pointe
33/8	18010008	Screw crosswise cup headed M3x8	Robin Pointe
33/9	18010015	Screw crosswise cup headed M4x8	Robin Pointe
33/10	18010051	Screw socket head cap M4x14	Robin Pointe
33/11	18010063	Screw crosswise cup countersink M4x12	Robin Pointe
33/12	18010073	Screw socket head cap M4x8	Robin Pointe
33/13	18010213	Screw crosswise cup headed M4x14	Robin Pointe
33/14	18020008	Screw self-tapping 4,8x13	Robin Pointe
33/15	18040001	Nut M4 black	Robin Pointe
33/16	18050003	Washer M4 selflock - black	Robin Pointe
33/17	18050004	Washer M6 black	Robin Pointe
33/18	18050010	Washer M4 star - black	Robin Pointe
33/19	18050011	Washer M3 star - black	Robin Pointe
33/20	19040030	Rubber base ROBE	Robin Pointe
33/21	99010420	Mounting bracket Omega CL assembled	Robin Pointe