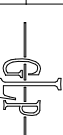
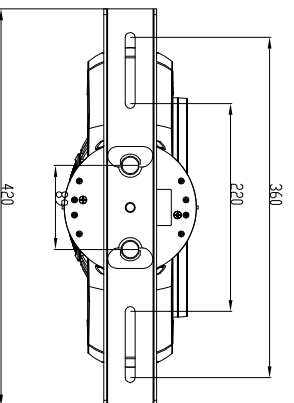
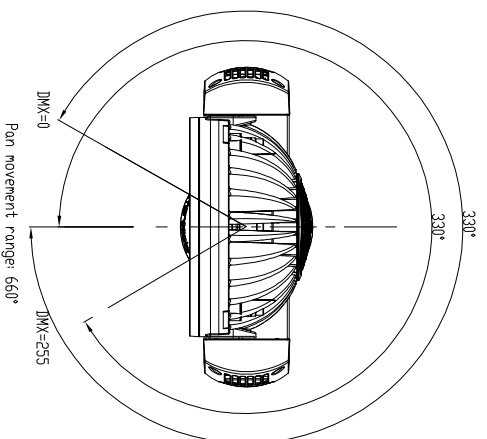
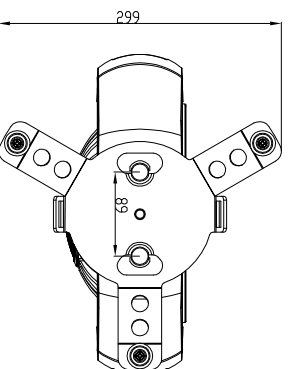


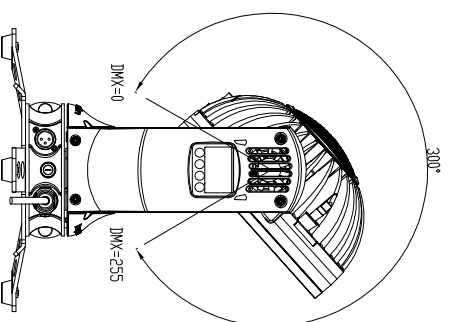
UNLESS OTHERWISE SPECIFIED		DRW:	PART NO.:	 GERMAN LIGHT PRODUCTS GMBH IM. STECKMÄDLE 13 76307 KARLSBAD - GERMANY PHONE: +49 (0)7248/92719-0 WWW.GLP.DIE	
DIMENSIONAL TOLERANCES:		CHK:	DRAWING NO.:		
6	= ± 0,05	APP:	DATE: 19-Nov-10	REV.:	GERMAN LIGHT PRODUCTS
6-30	= ± 0,1	DESCRIPTION:		PHONE: +49 (0)7248/92719-0	
30-120	= ± 0,15	IMPRESSION ZOOM - DIMENSIONS		WWW.GLP.DIE	
120	= ± 0,2	SIZE			
ANGLES = ± 0,5°		A4			
PROPRIETARY NOTICE:		THIRD ANGLE PROJ.			
ALL INFORMATION HEREIN IS THE SOLE AND EXCLUSIVE PROPERTY OF GLP, AND MAY NOT BE USED, DISCLOSED OR REPRODUCED IN ANY MANNER WITHOUT THE ADVANCE WRITTEN CONSENT OF GLP.		MATERIAL:		FINISH:	
		ALL DIMENSIONS ARE IN MILLIMETERS UNLESS NOTED OTHERWISE. REMOVE ALL BURRS AN SHARP EDGES.		FILENAME: IMPRESSION_ZOOM	
		DO NOT SCALE		SCALE: 1:10	
				SHEET 1 OF 2	


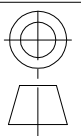


Optional Trussbar



Tilt movement range: 300°



UNLESS OTHERWISE SPECIFIED		DRW:	PART NO.:		 GERMAN LIGHT PRODUCTS IM. STECKMÄDDEL 13 76307 KARLSBAD - GERMANY PHONE: +49 (0)7248/92719-0 WWW.GLP.DIE
DIMENSIONAL TOLERANCES:		CHK:	DRAWING NO.:		
6 = ± 0,05		APP:	DATE: 01-Apr-10		
6-30 = ± 0,1		REV.:			
30-120 = ± 0,15		DESCRIPTION:			GERMAN LIGHT PRODUCTS IMPRESSION_ZOOM
120 = ± 0,2		IMPRESSION_ZOOM - DIMENSIONS			
ANGLES = ± 0,5°		MATERIAL:			
PROPRIETARY NOTICE:		SIZE		FINISH:	
ALL INFORMATION HEREIN IS THE SOLE AND EXCLUSIVE PROPERTY OF GLP, AND MAY NOT BE USED, DISCLOSED OR REPRODUCED IN ANY MANNER WITHOUT THE ADVANCE WRITTEN CONSENT OF GLP.		A4			
		THIRD ANGLE PROJ.		ALL DIMENSIONS ARE IN MILLIMETERS UNLESS NOTED OTHERWISE. REMOVE ALL BURS AN SHARP EDGES.	
				DO NOT SCALE	
		SCALE: 1:10		FILENAME: IMPRESSION_ZOOM	
				SHEET 2 OF 2	