

impression[&]
rgb 120-RZ

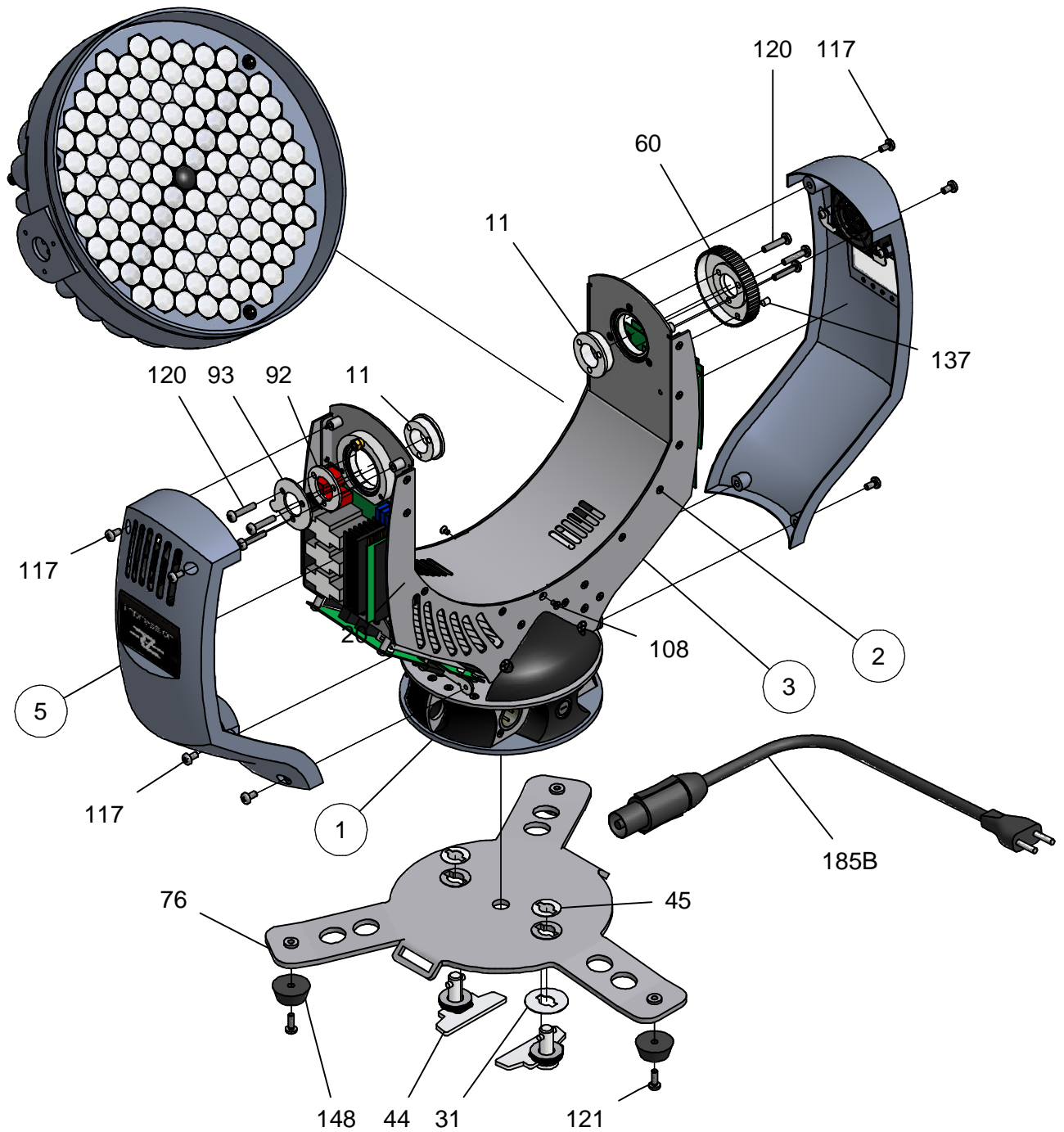
Technische Serviceanleitung // Technical Service Manual

Version 0.9



e-mail: service@glp.de
internet: <http://www.GLP.de>

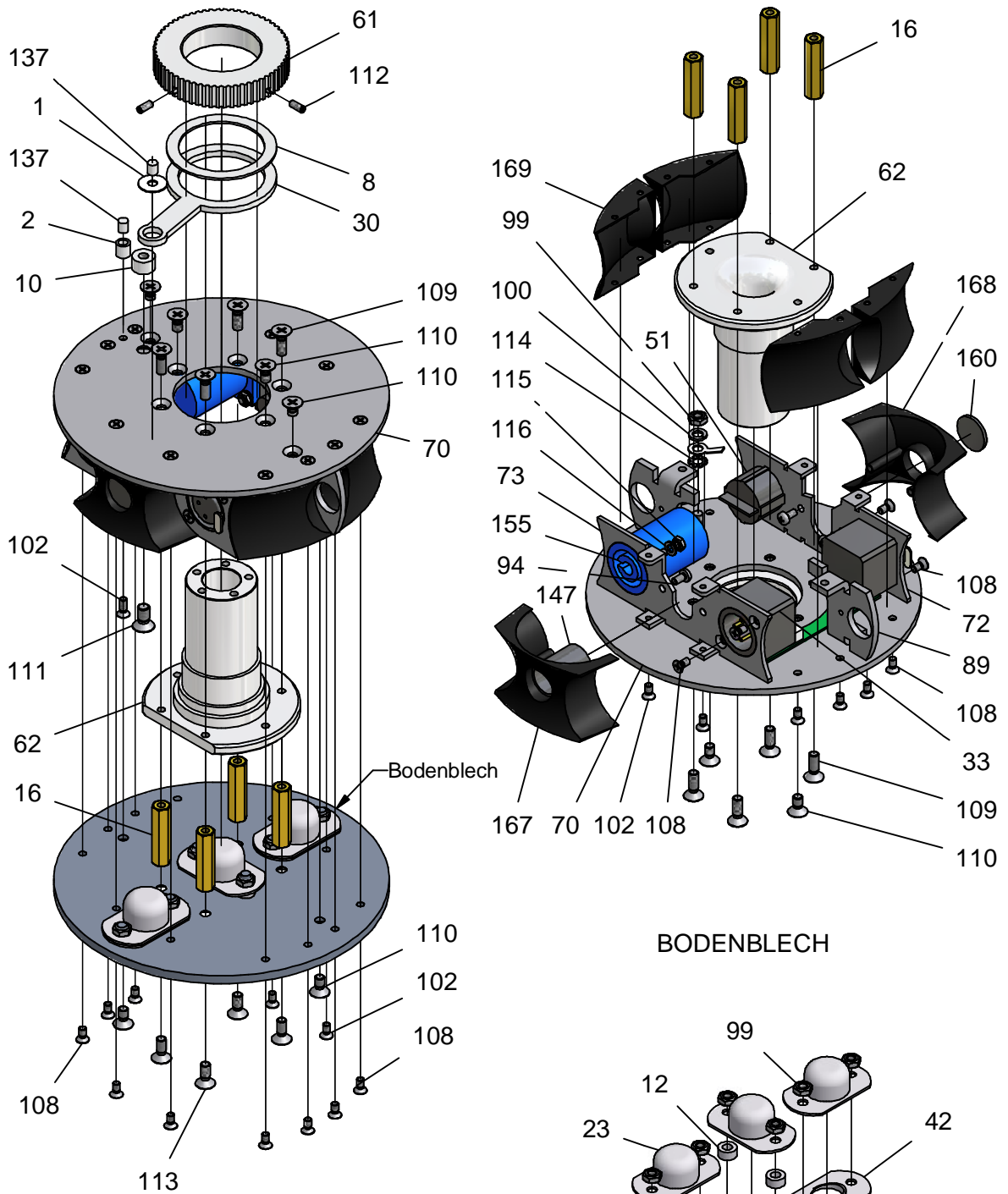
0. Overview



0.Overview

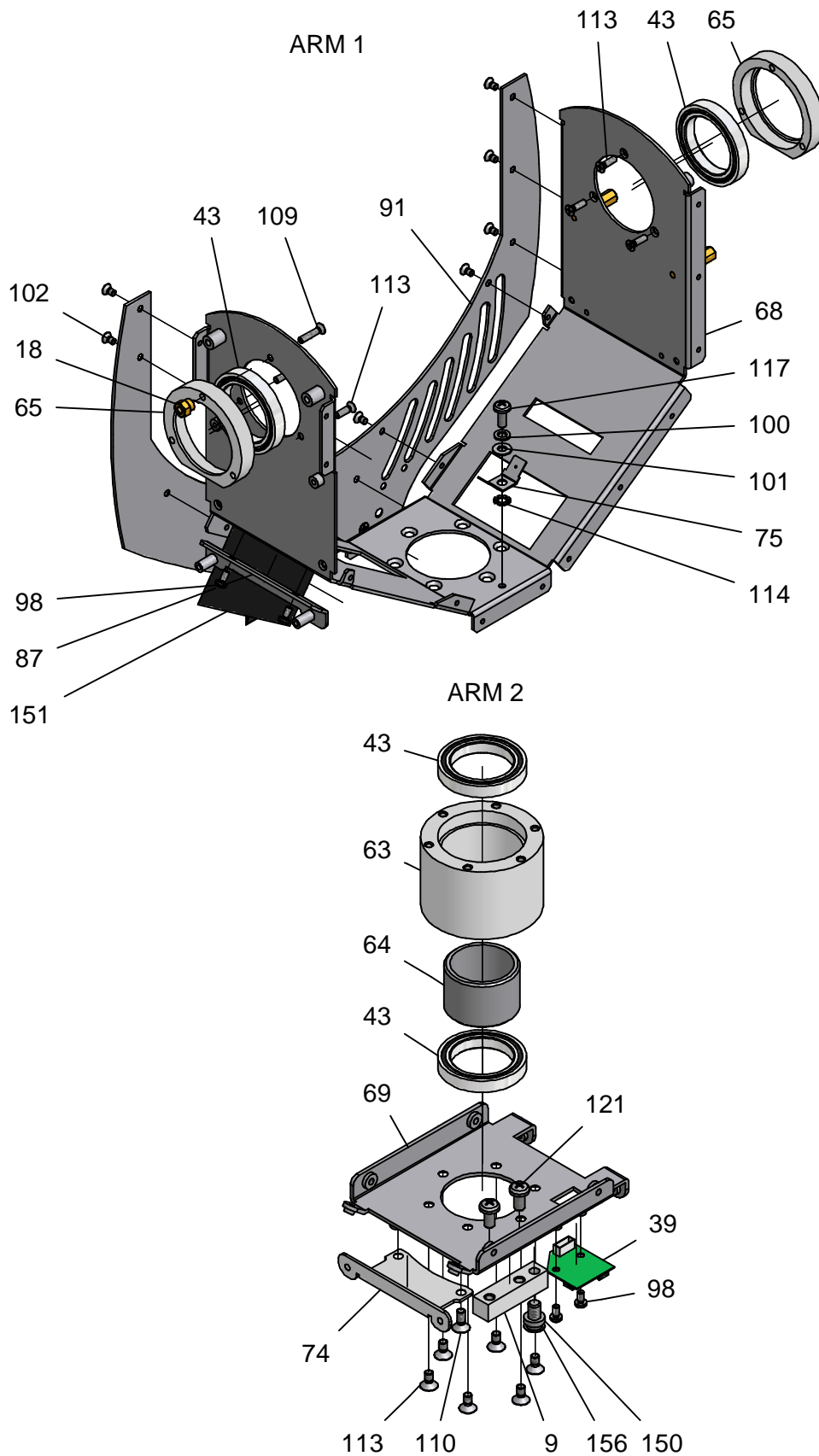
<i>Pos.</i>	<i>Code</i>	<i>Name</i>	<i>Type</i>	<i>Quantity</i>	<i>Norm</i>
1	Base				
2	Arm				
3	PAN, TILT				
4	Head				
5	Side Cover				
11	84374	SHAFT-TILT	DRILLING-S	2	
31	84405	SPACER-TRIPOD	SHEETMETAL	2	
44	8999976	CAMLOC Verschluss-MALE	STAND	2	
45	8999977	CAMLOC-SICHERUNG	STAND	2	
60	84359	GEARWHEEL_HDT-3MX60	DRILLING	1	
76	84344	FUSS	SHEETMETAL	1	
92	84330	TILT-BEARINGSPACER	SHEETMETAL	1	
93	84331	TILT-STOPPER-BLADE	SHEETMETAL	1	
108	22-003-0044	KREUZSCHLITZ-SENKKOPF-BLECH-M3X7	SCREW	2	
117	22-001-0082	KREUZSCHLITZ-LINSENKOPF-M4X8	SCREW	8	
120	22-001-0286	KREUZSCHLITZ-LINSENKOPF-M4X20	SCREW	6	
121	22-001-0086	KREUZSCHLITZ-LINSENKOPF-M5X10	SCREW	3	
137	84437	1-34 Magnet	STAND	1	
148	84478	GUMMIFUSS	STAND	3	
185B	94450	Netzkabel Powercom		1	

1. Base



1.Base					
<i>Pos.</i>	<i>Code</i>	<i>Name</i>	<i>Type</i>	<i>Quantity</i>	<i>Norm</i>
1	84382	2-13	DRILLING-S	1	
2	84381	2-32	DRILLING-S	1	
8	84376	GLEITRING	DRILLING-S	1	
10	84383	PANSTOPPER	DRILLING-S	1	
12	84369	SPACER-BASE-CAMLOC	DRILLING-S	2	
16	84370	SPACER-M4	DRILLING-S	4	
23	84342	2-38 camloc cappe	SHEETMETAL	3	
30	84372	LOLLI	SHEETMETAL	1	
33	888891	BASE-PCB	PCB	1	
42	899702	2-28 camlock	STAND	2	
51	84389	Wippenschalter 2-polig	STAND	1	
61	84358	GEARWHEEL-PAN	DRILLING	1	
62	84356	PAN-ACHSE	DRILLING	1	
70	84338	BASE-ACHSBLECH	SHEETMETAL	1	
71	84339	BASE-BODENBLECH	SHEETMETAL	1	
72	84341	BASE-FRAME-L	SHEETMETAL	1	
73	84336	BASE-FRAME-R	SHEETMETAL	1	
89	84340	SAFETYOESE	SHEETMETAL	2	
94	22-003-0003	KREUZSCHLITZ-LINSE-BLECH-3X8		8	
99	22-007-0034	STOPMUTTER-M4	NUT	7	
100		Sprengring M4		1	
102		KREUZSCHLITZ-SENKKOPF-M3X6	SCREW	9	
108	22-003-0044	KREUZSCHLITZ-SENKKOPF-BLECH-M3X7		4	
109	22-001-0113	KREUZSCHLITZ-SENKKOPF-M4X16	SCREW	4	
110		KREUZSCHLITZ-SENKKOPF-M4X8	SCREW	6	
111		KREUZSCHLITZ-SENKKOPF-M5X10	SCREW	1	
112		Madenschraube M4X5		2	
113	22-001-0090	KREUZSCHLITZ-SENKKOPF-M4X10	SCREW	4	
114		Zahnscheibe M4		1	
115		MUTTER-M3	NUT	2	
116		Sprengring M3		2	
137	84437	1-34 Magnet	STAND	2	
147	84479	FUSEHOLDER FBS1	STAND	1	
155	84449	NAC3MPA Powercon Buchse	STAND	1	
160	84407	STICKER-ROUND	STAND	1	
167	84306	BASE-PLASTIC1 WITH PRINT	PLASTIC	1	
168	84309	BASE-PLASTIC1 WITHOUT PRINT	PLASTIC	1	
169	84312	BASE-PLASTIC2	PLASTIC	4	

2. Arm

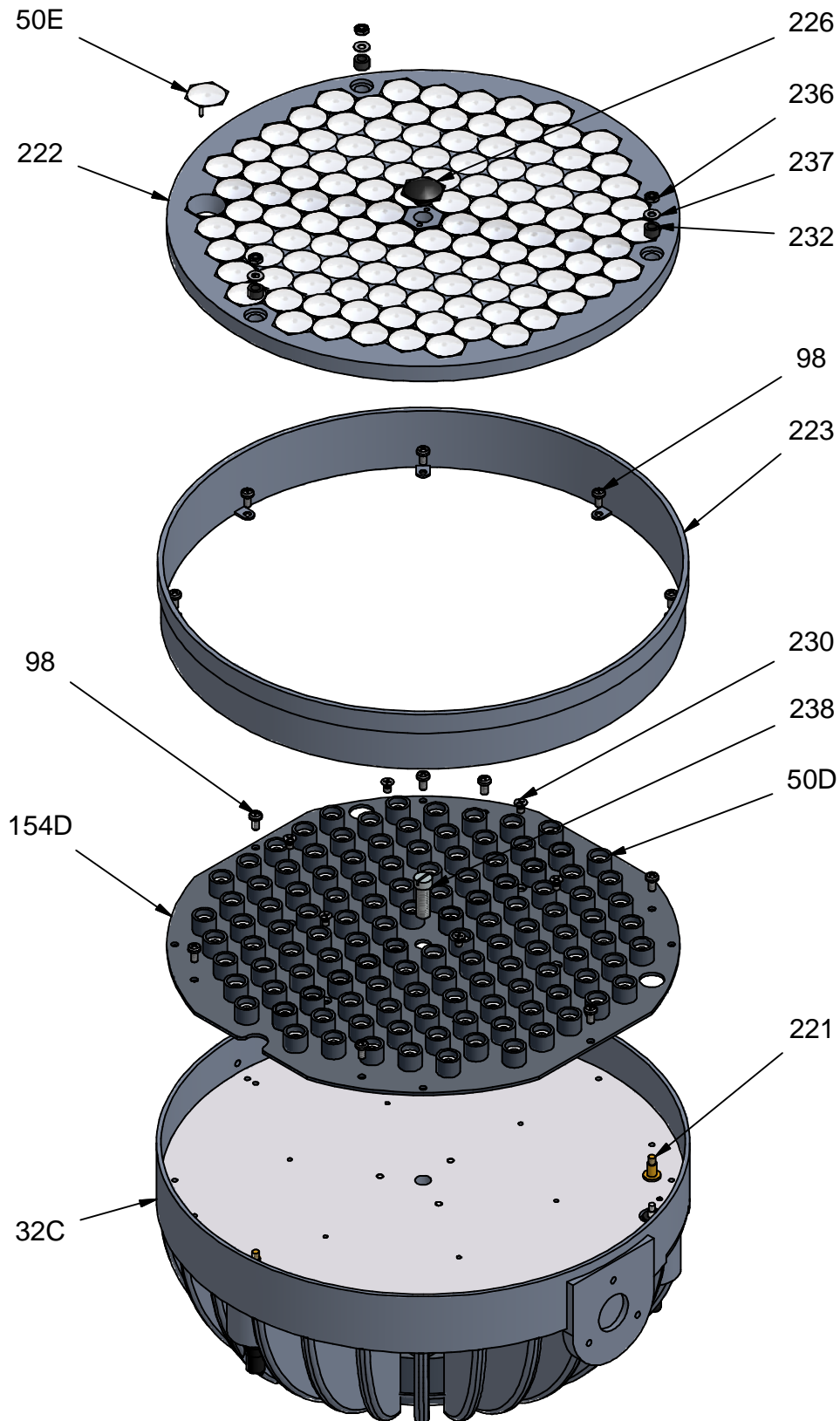


2. Arm

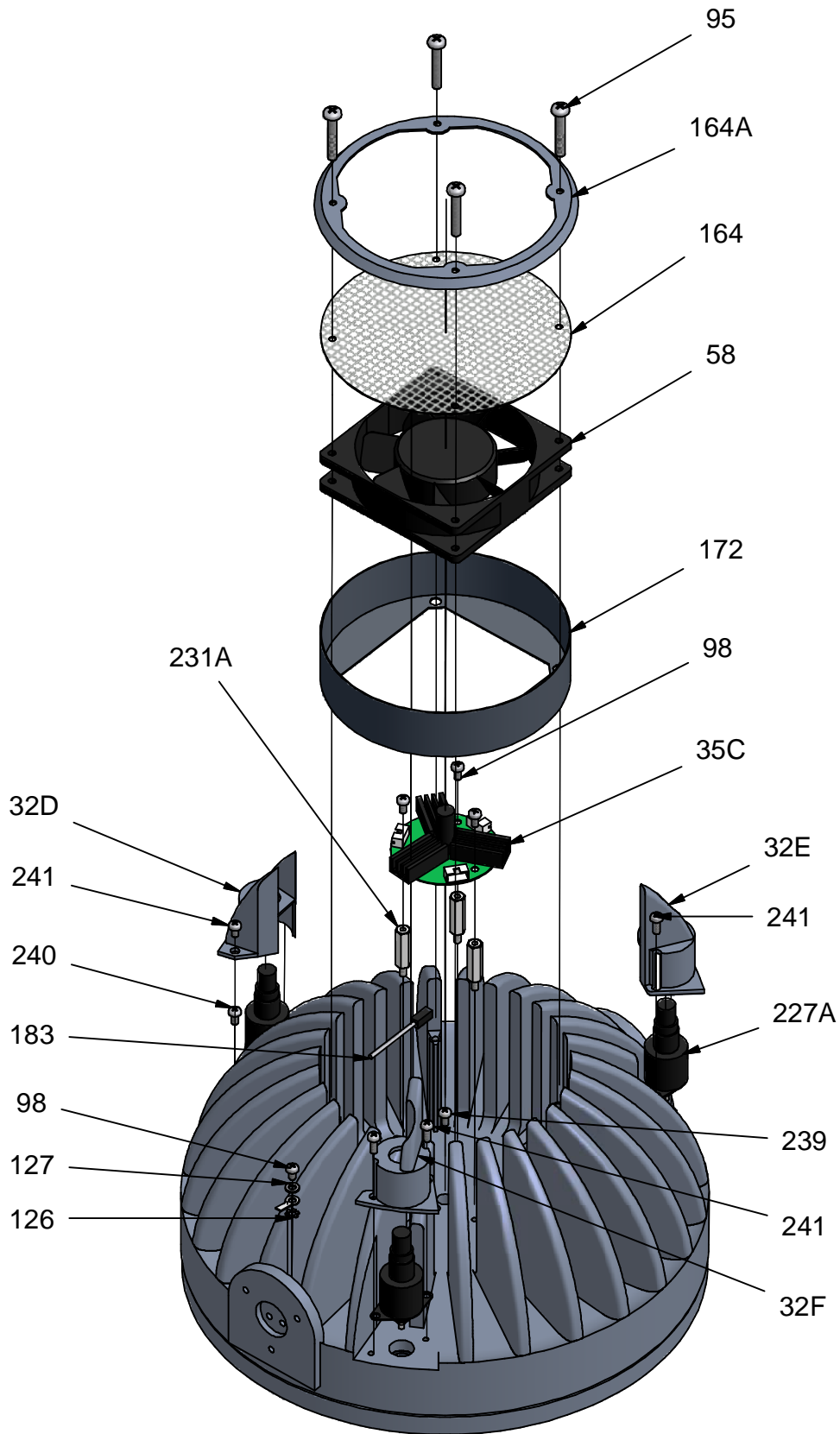
Pos.	Code	Name	Type	Quantity	Norm
9	84375	PAN-ANSCHLAGSPACER	DRILLING-S	1	
13	84367	SPACER-M3X10	DRILLING-S	2	
14	84368	SPACER-M3-LANG	DRILLING-S	4	
18	84373	TILT-STOPPER-NUT	DRILLING-S	1	
34	888898UL	DRIVER-PCB	PCB	1	
34B	096055	Display BTHQ 128064AVD	PCB	1	
35B	777787	Impmain RZ	PCB	1	
36	888894	FEED-PCB	PCB	1	
38	888893	HALL-PCB-3	PCB	1	
39	888892	HALL-PCB-4	PCB	1	
40C	8888901UL	PSU1+PSU2 komplet	PCB	1	
41C	8888900UL	LEDDRIVE V3-2+V3-1	PCB	1	
43	096020	BEARING-68062Z	STAND	4	
46		FUSE- 4A T	STAND	1	
56	84390	PCB-SPACER M3X5	STAND	4	
63	84357	PAN-BEARINGBLOCK	DRILLING	1	
64	84353	PAN-BEARINGSPACER	DRILLING	1	
65	84354	TILT-BEARINGBLOCK	DRILLING	2	
68	84326	ARM-MAINFRAME	SHEETMETAL	1	
69	84335	ARM-VERSTAERKUNGSBLECH	SHEETMETAL	1	
74	84343	COVERHOLDER	SHEETMETAL	1	
75	84332	EARTHCONNECTOR-4.2mm	SHEETMETAL	1	
85	84328	PAN-SICHERUNG	SHEETMETAL	1	
86	84349	PCB-ADAPTOR1	SHEETMETAL	1	
87	84329	PCB-ADAPTOR2	SHEETMETAL	1	
88	84327	RUNDBLENDE	SHEETMETAL	1	
90	84345	SIDE-COVER	SHEETMETAL	1	
91	84346	SIDE-COVER2	SHEETMETAL	1	
98	22-001-0037	KREUZSCHLITZ-LINSENKOPF-M3X6	SCREW	16	
100		Sprengring M4		1	
101		Unterlegscheibe M4		1	
102	22-001-0004	KREUZSCHLITZ-SENKKOPF-M3X6	SCREW	29	
108	22-003-0044	KREUZSCHLITZ-SENKKOPF-BLECH-M3X7	moj zapis	12	
109	22-001-0113	KREUZSCHLITZ-SENKKOPF-M4X16	SCREW	1	
110		KREUZSCHLITZ-SENKKOPF-M4X8	SCREW	6	
113	22-001-0090	KREUZSCHLITZ-SENKKOPF-M4X10	SCREW	17	
114		Zahnscheibe M4		1	
117	22-001-0082	KREUZSCHLITZ-LINSENKOPF-M4X8	SCREW	1	
118	22-001-0024	KREUZSCHLITZ-LINSENKOPF-M3X5	SCREW	6	
119		KREUZSCHLITZ-SENKKOPF-M4X10-S	SCREW-mala hlava	5	
121	22-001-0086	KREUZSCHLITZ-LINSENKOPF-M5X10	SCREW	2	
122		BLECH		1	
124		KREUZSCHLITZ-SENKKOPF-M3X8	SCREW	1	
140	84481	BELT-Optibelt HTD-3M-225-6	STAND	1	
150	84419	INBUS-M6X08(with slot)	STAND	1	
151	84435	ISOLATOR-PSU1-1	STAND	1	
152	84436	ISOLATOR-PSU1-2	STAND	1	
153	84434	ISOLATOR-PSU-2	STAND	1	
156	84399	O-RING - Rubber Bell	STAND	1	
165	84303	ARM-GRUNDTEIL_LOGO01	PLASTIC	2	

3. PAN, TILT					
<i>Pos.</i>	<i>Code</i>	<i>Name</i>	<i>Type</i>	<i>Quantity</i>	<i>Norm</i>
PAN					
3B	84377	DREHTEIL-ENCODER-PAN mit Encoderwheel		1	
4	84397	ENCODERWINKEL	DRILLING-S	1	
5	84380	ENCODERWINKEL2	DRILLING-S	1	
52	84051	MOTOR-PAN 2008-04N 26mm	STAND	1	
66	87045	ZAHNKRANZ-12Z-PAN	DRILLING	1	
79	84350	MOTORHOLDERADJUST-PAN	SHEETMETAL	1	
81	84351	MOTORHOLDER-PAN	SHEETMETAL	1	
83	84333	MOTORSCREWHOLDER-PAN	SHEETMETAL	1	
99	22-007-0034	STOPMUTTER-M4	NUT	1	
101		Unterlegscheibe M4		2	
102	22-001-0004	KREUZSCHLITZ-SENKKOPF-M3X6	SCREW	5	
104	22-001-0238	MADENSCHRAUBE-M4X4	SCREW	4	
105	22-001-0023	KREUZSCHLITZ-LINSENKOPF-M3X8	SCREW	2	
106		INBUS M4X20	SCREW	1	
TILT					
6	84379	ENCODERWINKEL2-TILT	DRILLING-S	1	
7	84378	ENCODERWINKEL-TILT	DRILLING-S	1	
14	84368	SPACER-M3-LANG	DRILLING-S	2	
36	888894	FEED-PCB	PCB	1	
53	84052	MOTORTILT 2008-03N 16mm	STAND	1	
67	84483	ZAHNKRANZ-12Z-TILT mit Encoderwheel	DRILLING	1	
80	84337	MOTORHOLDERADJUST-TILT	SHEETMETAL	1	
82	84334	MOTORHOLDER-TILT	SHEETMETAL	1	
83	84333	MOTORSCREWHOLDER-PAN	SHEETMETAL	1	
98	22-001-0037	KREUZSCHLITZ-LINSENKOPF-M3X6	SCREW	2	
99	22-007-0034	STOPMUTTER-M4	NUT	1	
101		Unterlegscheibe M4		2	
102	22-001-0004	KREUZSCHLITZ-SENKKOPF-M3X6	SCREW	6	
103		KREUZSCHLITZ-LINSENKOPF-M3X10	SCREW	2	
104	22-001-0238	MADENSCHRAUBE-M4X4	SCREW	2	
106		INBUS M4X20	SCREW	1	
178	84404	Unterlegscheibe 6X0.6		2	
141		BELT-HTD-3M-375-6	STAND	1	

4. Head

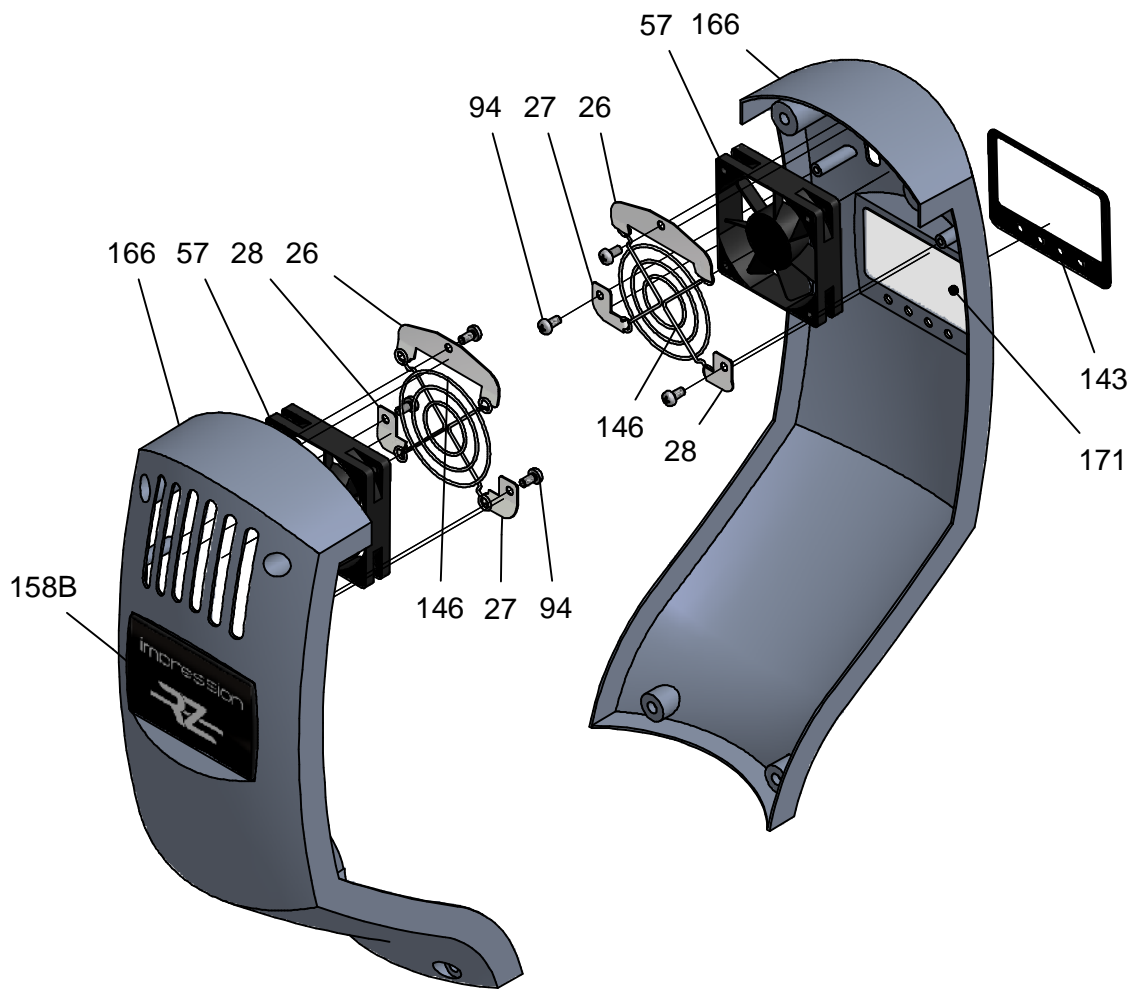


4. Head



4. Head					
<i>Pos.</i>	<i>Code</i>	<i>Name</i>	<i>Type</i>	<i>Quantity</i>	<i>Norm</i>
Body					
32D		Motorblende 1 - Zoom		1	
32E		Motorblende 2 - Zoom		1	
32F		Motorblende 3 - Zoom		1	
35C	777799	Imp.Zoomdrive	PCB	1	
58	8998652	SUNON-KDE2408PTV1-13-MS-A-GN	STAND	1	
95	22-001-0258	KREUZSCHLITZ-LINSENKOPF-M4X35	SCREW	4	
98	84452	KREUZSCHLITZ-LINSENKOPF-M3X6	SCREW	10	
126		TEETHWASHER-M3	WASHER	1	
127		SPRINGWASHER-M3	WASHER	1	
164	84512	Fan Guard Lufter ETL - 1 Stk		1	
164A	84513	Cover fur Lufter ETL - 1 Stk		1	
172	84318	FAN-CASE_TS	PLASTIC	1	
183	3994	Temperatursensor Kopf LM35 0/+100 C		1	
227A	877002	Stepping Motor Zoom-neue Version		3	
231A	877025	Distanzbolzen M3/8 innen/aussen		3	
239	55529	KREUZSCHLITZ-LINSENKOPF-M4X6	SCREW	1	
240		M3x5 kleine Kopf	SCREW	2	
241		M3x6 kleine Kopf	SCREW	6	
Optik					
32C		DRUCKGUSSKOPF_ZOOM	DIECASTING	1	
50D	877001	Zoom Linse mit Gehause		120	
50E	877000	Zoom Linse		120	
98	84452	KREUZSCHLITZ-LINSENKOPF-M3X6		12	
154D	098057	LED RGB Zoom	PCB	1	
221	877006	Gewindebolzen 8mm Zoom		3	
222	877005	Lensholder zoom rz	PLASTIC	1	
223	877004	Blende zoom rz	PLASTIC	1	
226	877018	Schwarze Linse in mitte des Optik-von Mathias		1	
230	80034	M3x6 Senkkopf schwarz chinesse Version PH2	SCREW	8	
232	877009	Gummi PV5 Grommet fur Impression Zoom		3	
236	800221	Stopmutter M3 schwarz	SCREW	3	
237	802624	Unterlage M3 schwarz	SCREW	3	
238	877035	Kunststoffhulse In Mite Impression Zoom	PLASTIC	1	

5. Side Cover



5. Side Cover

<i>Pos.</i>	<i>Code</i>	<i>Name</i>	<i>Type</i>	<i>Quantity</i>	<i>Norm</i>
26	84385	FAN-SPRING-1	SHEETMETAL	2	
27	84386	FAN-SPRING-2	SHEETMETAL	2	
28	84387	FAN-SPRING-3	SHEETMETAL	2	
57	096021	SUNON-KDE-1205PF-V1	STAND	2	
94	22-003-0003	KREUZSCHLITZ-LINSE-BLECH-3X8		12	
143	84439	DISPLAYFILM	STAND	1	
146	84352 (80136)	FAN-GUARD	STAND	2	
158B	84475	STICKER LOGO IMPRESSION-RZ		1	
166	84300	ARM-LANG	PLASTIC	2	
171	84324	DISPLAYWINDOW	PLASTIC	2	