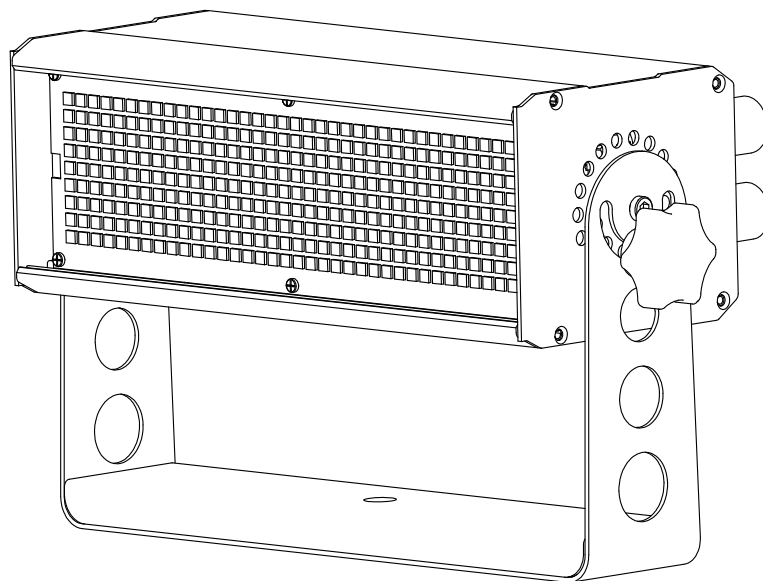


EXPOLITE

Fairlight System FLS 3 FT

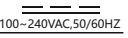


led11000

Technische Daten



SPECS V201803-005

Änderungen sind ohne Ankündigung möglich.
Changes are possible without prior notice.

 100~240VAC,50/60HZ Input Voltage	Controlswitch On-board	Power in/out Fixture Connection	Hanging Mounting	 Forced Convection Cooling	CE Certification	 0°C ~ 45°C Operation Temperature
--	---------------------------	---------------------------------------	---------------------	--	---------------------	---

SPECIFICATIONS

● LED Qty	324 x SMD 5050 (162 x 3200K; 162 x 5600K)
● Operation	Selectable fixed Colortemperature (3200K; 4000K; 5600K) and off
● Max Power	200W
● Control	Fixed Switch with 4 Positions
● Beamangle	120°
● Special	Barndoors
● Dimensions	324X198X182mm
● Weight	2.8kg
● Housing	Coated Metal
● Color	Black
● Enviroment	Dry Location

